

Item No.	Moulding Type	Wimensions	Price
RP01	Rope Moulding	3/8" H X 3/4" W X 96" L	227
BT01	Battan Moulding	5/8" H X 1 1/4" W X 96" L	127
SC01	Scribe Moulding	1/4" H X 1" W X 96" L	127
IC01	Inside Corner/Cove Moulding	3/4" H X 3/4" W X 96" L	127
OC06	Outside Corner Moulding	1" H X 1" W X 1/4" TH X 96" L	177
DT01	Dentile Moulding	3/8" H X 3/4" W X 96" L	227
UC01	Under Cabinet Moulding	1" H X 1 1/2" W X 96" L	177
HR02	Half Round Moulding	3/4" H x 3/8" W X 96" L	127
QR07	Quarter Round Moulding	1/2" H x 1/2" W X 96" L	127

### PRICE VARIABLES

#### Wood

Maple Wood ..... No Change  
 Oak Wood ..... No Change  
 Cherry Wood ..... +12%

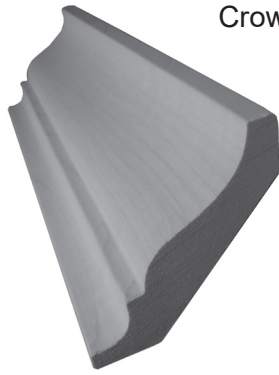
#### Finish

Stain ..... No Change  
 Stain with Glaze ..... Add 15%  
 Paint ..... Add 10%  
 Paint with Glaze ..... Add 20%  
 Paint with Rubbed Edges ..... Add 20%  
 Unfinished ..... -15%

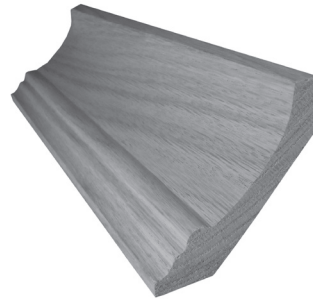
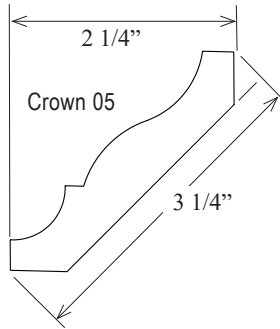
# Crown Moulding

176

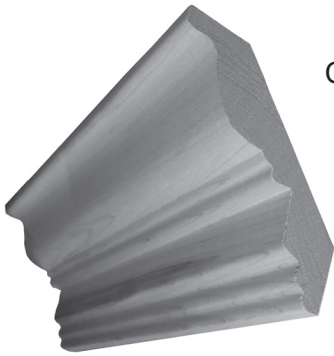
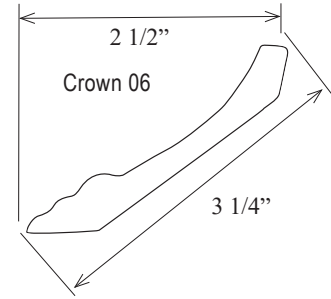
Crown Moulding



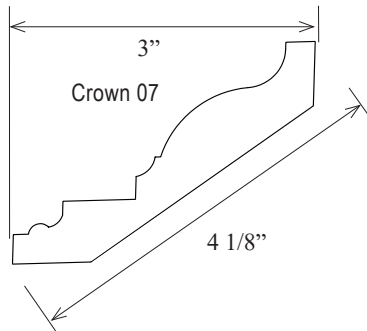
Crown 05



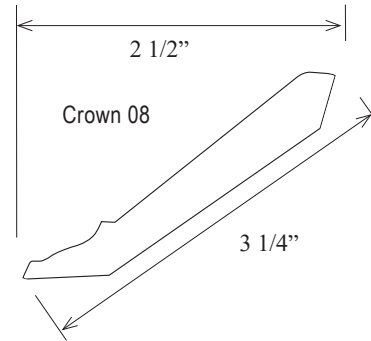
Crown 06



Crown 07



Crown 08



### PRICE VARIABLES

#### Wood

Maple Wood	.....	No Change
Oak Wood	.....	No Change
Cherry Wood	.....	+12%

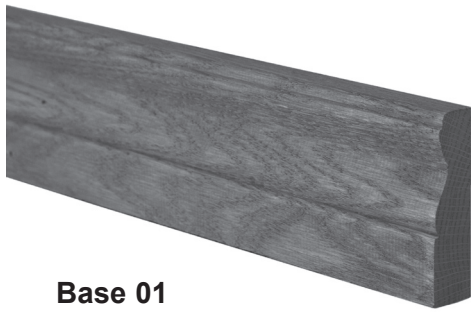
#### Finish

Stain	.....	No Change
Stain with Glaze	.....	Add 15%
Paint	.....	Add 10%
Paint with Glaze	.....	Add 20%
Paint with Rubbed Edges	.....	Add 20%
Unfinished	.....	-15%

Item No.	Description	Dimensions	Price
CROWN 05	Crown Moulding	2 1/4"H X 3/4"TH X 96"L	179
CROWN 06	Crown Moulding	2 1/2"H X 3/4"TH X 96" L	179
CROWN 07	Crown Moulding	3 1/4"H X 3/4"TH X 96"L	227
CROWN 08	Crown Moulding	2 1/2"H X 3/4"TH X 96" L	179

**NOTE:** All moulding is sold by the foot.  
Standard 8 foot lengths.

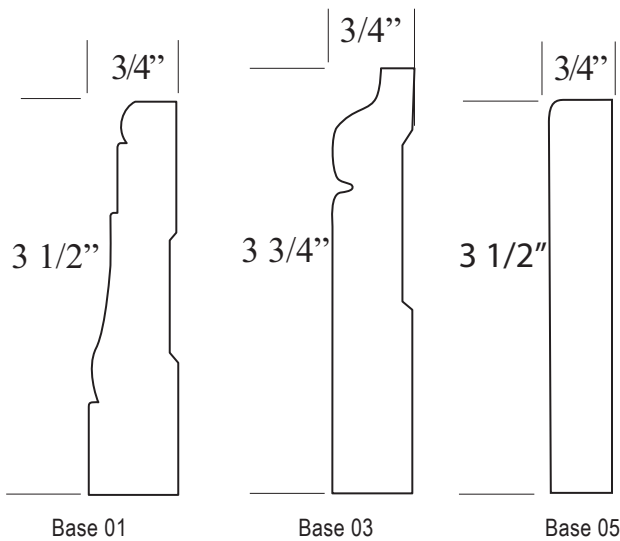




**Base 01**



**Base 03**



**Base 05**

**NOTE:** All moulding is sold by the foot.  
Standard 8 foot lengths.

Item No.	Description	Dimensions	Price
BASE01	Base Moulding	3 1/2"H X 3/4"TH X 96"L	238
BASE03	Base Moulding	3 3/4"H X 3/4"TH X 96"L	238
BASE05	Base Moulding	3 1/2"H X 3/4"TH X 96"L	238

**PRICE VARIABLES**

**Wood**

- Maple Wood . . . . . No Change
- Oak Wood . . . . . No Change
- Cherry Wood . . . . . +12%

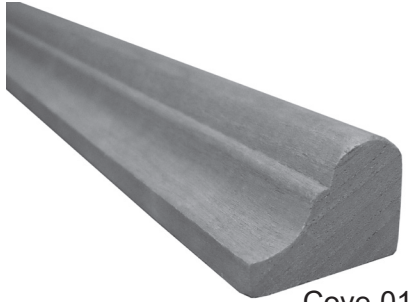
**Finish**

- Stain . . . . . No Change
- Stain with Glaze . . . . . Add 15%
- Paint . . . . . Add 10%
- Paint with Glaze . . . . . Add 20%
- Paint with Rubbed Edges . . . . . Add 20%
- Unfinished . . . . . -15%

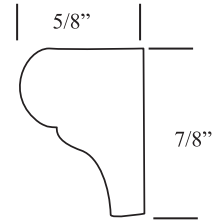
# Cove Moulding, Toe Kick and Starter Moulding

178

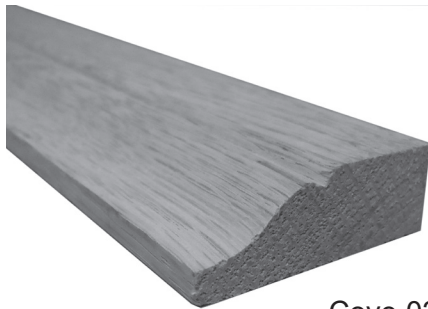
Cove Moulding



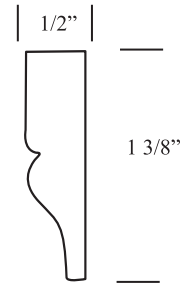
Cove 01



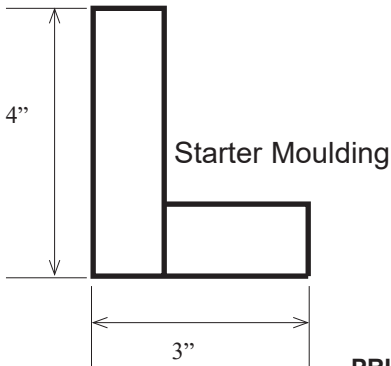
Cove 01



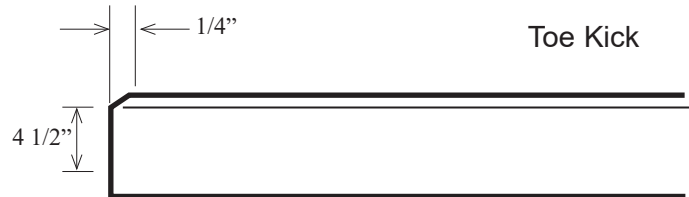
Cove 02



Cove 02



Starter Moulding



Toe Kick

### PRICE VARIABLES

#### Wood

Maple Wood	.....	No Change
Oak Wood	.....	No Change
Cherry Wood	.....	+12%

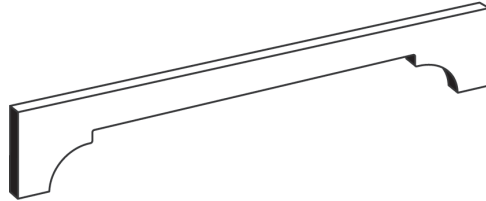
#### Finish

Stain	.....	No Change
Stain with Glaze	.....	Add 15%
Paint	.....	Add 10%
Paint with Glaze	.....	Add 20%
Paint with Rubbed Edges	.....	Add 20%
Unfinished	.....	-15%

Item No.	Description	Dimensions	Price
COVE01	Cottage Cove Moulding	7/8"H X 5/8"TH X 96"L	127
COVE02	Vintage Cove Moulding	1 3/8"H X 1/2"TH X 96"L	127
TK8	1/4" Toekick Cover	96"l x 4 1/2"w x 1/4"	80
STARTER01	Starter Moulding	4"H x 3"D x 96"L	275

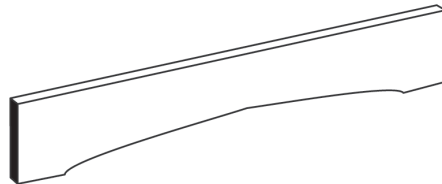


**NOTE:** All moulding is sold by the foot. *Standard 8 foot lengths.*



### Classic Valance

Item No.	Length	Height	Thick	Price
VF24	24"	5"	3/4"	101
VF30	30"	5"	3/4"	114
VF36	36"	5"	3/4"	136
VF42	42"	5"	3/4"	155
VF48	48"	5"	3/4"	162



### Mission Valance

Item No.	Length	Height	Thick	Price
VM24	24"	3 1/2"	3/4"	101
VM30	30"	3 1/2"	3/4"	114
VM36	36"	3 1/2"	3/4"	136
VM42	42"	3 1/2"	3/4"	155
VM48	48"	3 1/2"	3/4"	162



### Straight Valance

Item No.	Length	Height	Thick	Price
VS24	24"	3 1/2"	3/4"	101
VS30	30"	3 1/2"	3/4"	114
VS36	36"	3 1/2"	3/4"	136
VS42	42"	3 1/2"	3/4"	155
VS48	48"	3 1/2"	3/4"	162

# Scalloped, Straight & Arched Valances

180

Valances



Scalloped Valance

Item No.	Length	Height	Thick	Price
VL24	24"	3 1/2"	3/4"	101
VL30	30"	3 1/2"	3/4"	114
VL36	36"	3 1/2"	3/4"	136
VL42	42"	3 1/2"	3/4"	155
VL48	48"	3 1/2"	3/4"	162



Arched Valance

Item No.	Length	Height	Thick	Price
VA24	24"	3 1/2"	3/4"	101
VA30	30"	3 1/2"	3/4"	114
VA36	36"	3 1/2"	3/4"	136
VA42	42"	3 1/2"	3/4"	155
VA48	48"	3 1/2"	3/4"	162

### PRICE VARIABLES

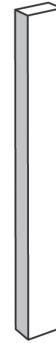
#### Wood

Maple Wood	..... No Change
Oak Wood	..... No Change
Cherry Wood	..... +12%

#### Finish

Stain	..... No Change
Stain with Glaze	..... Add 15%
Paint	..... Add 10%
Paint with Glaze	..... Add 20%
Paint with Rubbed Edges	..... Add 20%
Unfinished	..... -15%





Filler Strip

Filler Strips

Item No.	Width	Height	Thick	Price
WF1803	3"	18"	3/4"	60
WF1806	6"	18"	3/4"	66
WF2403	3"	24"	3/4"	74
WF2406	6"	24"	3/4"	81
WF3003	3"	30"	3/4"	83
WF3006	6"	30"	3/4"	92
WF3603	3"	36"	3/4"	99
WF3606	6"	36"	3/4"	108
WF4203	3"	42"	3/4"	118
WF4206	6"	42"	3/4"	130

Tall Filler Strips

Item No.	Width	Height	Thick	Price
TF8403	3"	84"	3/4"	160
TF8406	6"	84"	3/4"	176
TF9003	3"	90"	3/4"	183
TF9006	6"	90"	3/4"	201
TF9603	3"	96"	3/4"	237
TF9606	6"	96"	3/4"	261

Base Filler Strips

Item No.	Width	Height	Thick	Price
BF303	3"	30"	3/4"	83
BF306	6"	30"	3/4"	92

**PRICE VARIABLES**

**Wood**

Maple Wood	.....	No Change
Oak Wood	.....	No Change
Cherry Wood	.....	+12%

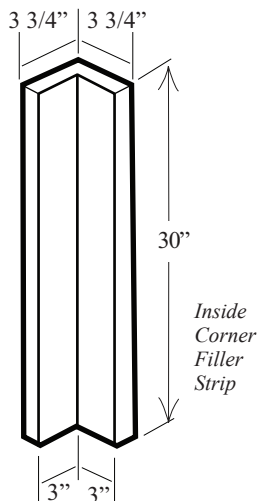
**Finish**

Stain	.....	No Change
Stain with Glaze	.....	Add 15%
Paint	.....	Add 10%
Paint with Glaze	.....	Add 20%
Paint with Rubbed Edges	.....	Add 20%
Unfinished	.....	-15%

# Inside Corner Filler Strips

182

Inside Corner Filler Strips



## Inside Corner Filler Strips

Item No.	Width	Height	Thick	Price
WFIC1803	3"	18"	3/4"	134
WFIC2403	3"	24"	3/4"	178
WFIC3003	3"	30"	3/4"	201
WFIC3603	3"	36"	3/4"	240
WFIC4203	3"	42"	3/4"	286

## Tall Inside Corner Filler Strips

Item No.	Width	Height	Thick	Price
TFIC8403	3"	84"	3/4"	352
TFIC9003	3"	90"	3/4"	402
TFIC9603	3"	96"	3/4"	497

## Base Inside Corner Filler Strips

Item No.	Width	Height	Thick	Price
BFIC03	3"	30"	3/4"	194

## PRICE VARIABLES

### Wood

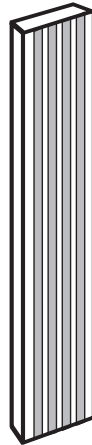
Maple Wood	No Change
Oak Wood	No Change
Cherry Wood	+12%

### Finish

Stain	No Change
Stain with Glaze	Add 15%
Paint	Add 10%
Paint with Glaze	Add 20%
Paint with Rubbed Edges	Add 20%
Unfinished	-15%







*Fluted Filler*

**Fluted Filler**

Item No.	Width	Height	Thick	Price
WFF1803	3"	18"	3/4"	76
WFF1806	6"	18"	3/4"	83
WFF2403	3"	24"	3/4"	92
WFF2406	6"	24"	3/4"	101
WFF3003	3"	30"	3/4"	104
WFF3006	6"	30"	3/4"	114
WFF3603	3"	36"	3/4"	124
WFF3606	6"	36"	3/4"	136
WFF4203	3"	42"	3/4"	148
WFF4206	6"	42"	3/4"	162

**Tall Fluted Filler**

Item No.	Width	Height	Thick	Price
TFF8403	3"	84"	3/4"	220
TFF8406	6"	84"	3/4"	228
TFF9003	3"	90"	3/4"	251
TFF9006	6"	90"	3/4"	298
TFF9603	3"	96"	3/4"	326
TFF9606	6"	96"	3/4"	358

**Base Fluted Filler**

Item No.	Width	Height	Thick	Price
BFF303	3"	30"	3/4"	100
BFF306	6"	30"	3/4"	110

**PRICE VARIABLES**

**Wood**

Maple Wood	..... No Change
Oak Wood	..... No Change
Cherry Wood	..... +12%

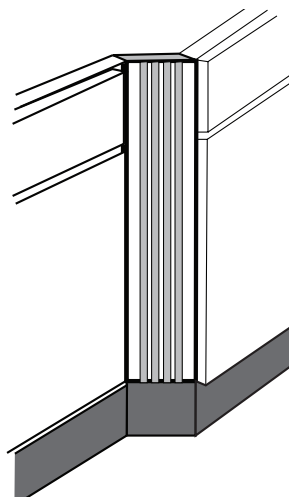
**Finish**

Stain	..... No Change
Stain with Glaze	..... Add 15%
Paint	..... Add 10%
Paint with Glaze	..... Add 20%
Paint with Rubbed Edges	..... Add 20%
Unfinished	..... -15%

# Fluted Angle Filler Strips

184

Fluted Angle Filler Strips



Fluted Angle Filler

## Fluted Angle Filler

Item No.	Width	Height	Thick	Price
WAFF1803	3"	18"	3/4"	83
WAFF1806	6"	18"	3/4"	92
WAFF2403	3"	24"	3/4"	101
WAFF2406	6"	24"	3/4"	104
WAFF3003	3"	30"	3/4"	114
WAFF3006	6"	30"	3/4"	124
WAFF3603	3"	36"	3/4"	136
WAFF3606	6"	36"	3/4"	148
WAFF4203	3"	42"	3/4"	162
WAFF4206	6"	42"	3/4"	179

## Tall Fluted Angle Filler

Item No.	Width	Height	Thick	Price
TAFF8403	3"	84"	3/4"	220
TAFF8406	6"	84"	3/4"	228
TAFF9003	3"	90"	3/4"	251
TAFF9006	6"	90"	3/4"	298
TAFF9603	3"	96"	3/4"	326
TAFF9606	6"	96"	3/4"	358

## Fluted Angle Base Filler

Item No.	Width	Height	Thick	Price
BAFF03	3"	30"	3/4"	110
BAFF306	6"	30"	3/4"	120

### PRICE VARIABLES

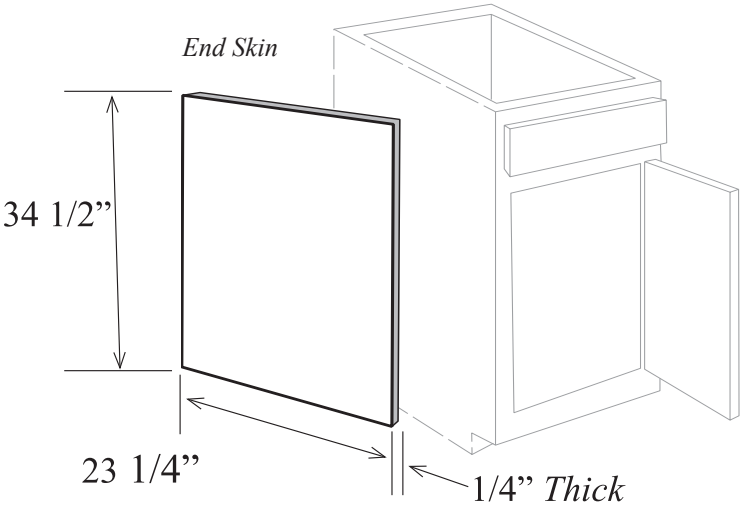
#### Wood

Maple Wood	..... No Change
Oak Wood	..... No Change
Cherry Wood	..... +12%

#### Finish

Stain	..... No Change
Stain with Glaze	..... Add 15%
Paint	..... Add 10%
Paint with Glaze	..... Add 20%
Paint with Rubbed Edges	..... Add 20%
Unfinished	..... -15%





**End Skins**

Item No.	Width	Height	Thick	Price
EPS1	23 1/4"	34 1/2"	1/4"	128
EPS2	11 1/4"	30"	1/4"	80
EPS3	11 1/4"	36"	1/4"	80
EPS4	11 1/4"	42"	1/4"	80
EPS5	14 1/4"	30"	1/4"	80
EPS6	14 1/4"	36"	1/4"	80
EPS7	14 1/4"	42"	1/4"	80

**Tall End Skins**

Item No.	Width	Height	Thick	Price
EPS8	23 1/4"	84"	1/4"	360
EPS9	23 1/4"	90"	1/4"	360
EPS10	23 1/4"	96"	1/4"	360

**Finished Sides**

Item	Price
All Wall Cabinet Sides	80
All Base and Vanity Sides	128
All Tall Cabinet Sides	360

**PRICE VARIABLES**

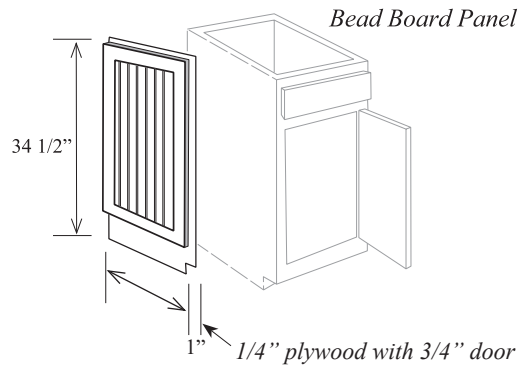
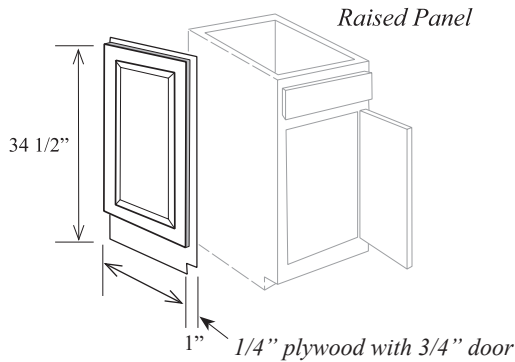
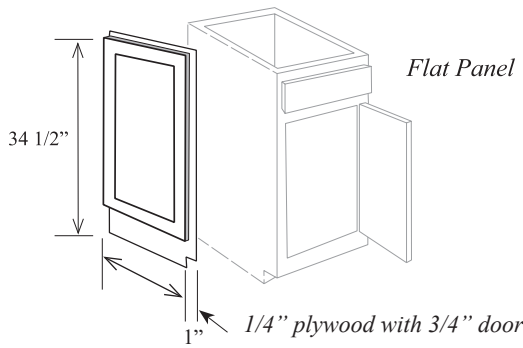
**Wood**

Maple Wood	..... No Change
Oak Wood	..... No Change
Cherry Wood	..... +12%

**Finish**

Stain	..... No Change
Stain with Glaze	..... Add 15%
Paint	..... Add 10%
Paint with Glaze	..... Add 20%
Paint with Rubbed Edges	..... Add 20%
Unfinished	..... -15%

# Matching End Panels



**Note:** Order matching end panels by door style name.

### Matching End Panels

Item No.	Width	Height	Thick	Price
MEP1	23 1/4"	34 1/2"	1/4" plywood / 3/4" door	562
MEP2	11 1/4"	30"	1/4" plywood / 3/4" door	298
MEP3	11 1/4"	36"	1/4" plywood / 3/4" door	298
MEP4	11 1/4"	42"	1/4" plywood / 3/4" door	298
MEP5	14 1/4"	30"	1/4" plywood / 3/4" door	358
MEP6	14 1/4"	36"	1/4" plywood / 3/4" door	358
MEP7	14 1/4"	42"	1/4" plywood / 3/4" door	358

### Matching Tall End Panels

Item No.	Width	Height	Thick	Price
MTEP8	23 1/4"	84"	1/4" plywood / 3/4" door	890
MTEP9	23 1/4"	90"	1/4" plywood / 3/4" door	890
MTEP10	23 1/4"	96"	1/4" plywood / 3/4" door	890

### PRICE VARIABLES

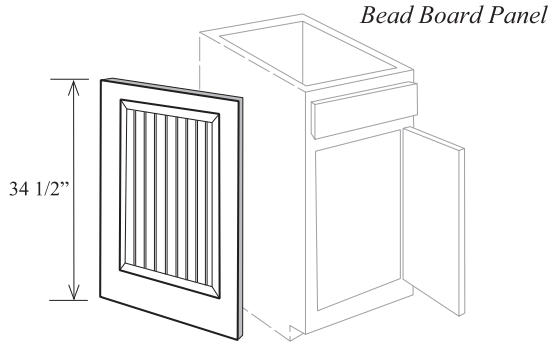
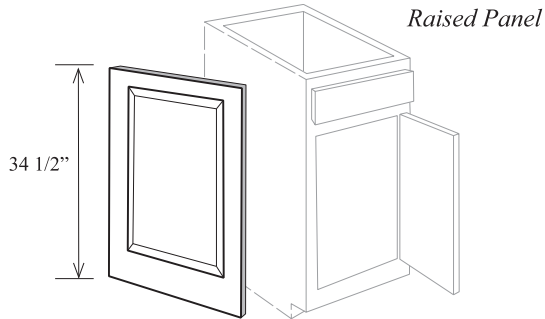
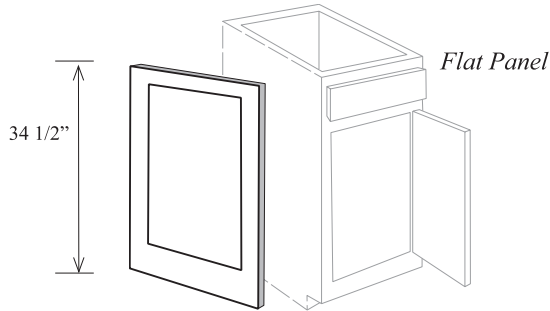
#### Wood

Maple Wood	..... No Change
Oak Wood	..... No Change
Cherry Wood	..... +12%

#### Finish

Stain	..... No Change
Stain with Glaze	..... Add 15%
Paint	..... Add 10%
Paint with Glaze	..... Add 20%
Paint with Rubbed Edges	..... Add 20%
Unfinished	..... -15%





*Note: Order matching end panels by door style name.*

**Matching End Panels**

Item No.	Width	Height	Thick	Price
EPDR1	24"	34 1/2"	3/4" panel	592
EPDR2	12"	30"	3/4" panel	328
EPDR3	12"	36"	3/4" panel	328
EPDR4	12"	42"	3/4" panel	328
EPDR5	15"	30"	3/4" panel	388
EPDR6	15"	36"	3/4" panel	388
EPDR7	15"	42"	3/4" panel	388

**Matching Tall End Panels**

Item No.	Width	Height	Thick	Price
EPDR8	24"	84"	3/4" panel	948
EPDR9	24"	90"	3/4" panel	948
EPDR10	24"	96"	3/4" panel	948

**PRICE VARIABLES**

**Wood**

Maple Wood	.....	No Change
Oak Wood	.....	No Change
Cherry Wood	.....	+12%

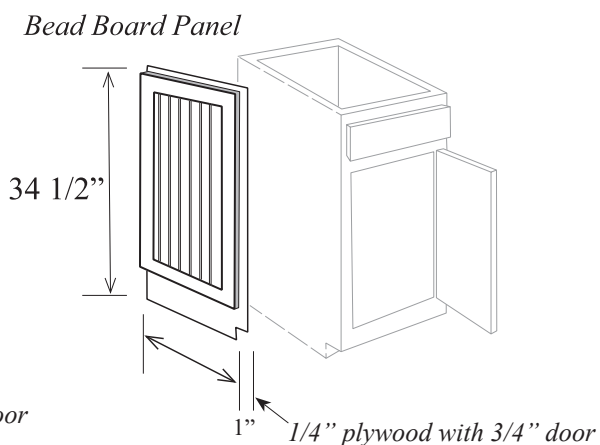
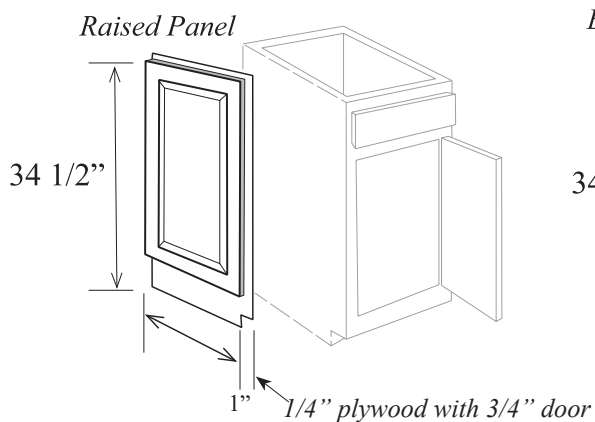
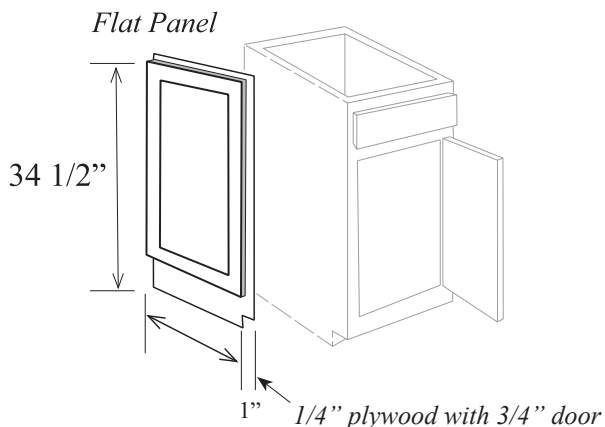
**Finish**

Stain	.....	No Change
Stain with Glaze	.....	Add 15%
Paint	.....	Add 10%
Paint with Glaze	.....	Add 20%
Paint with Rubbed Edges	.....	Add 20%
Unfinished	.....	-15%

# Vanity End Panels & Skins

188

Vanity End Panels & Skins



*Note: Order matching end panels by door style name.*

## Vanity End Panels

Item No.	Width	Height	Thick	Price
MEPV1	20 1/4"	31 1/2"	1/4"	542
MEPV2	20 1/4"	34 1/2"	1/4"	552

## PRICE VARIABLES

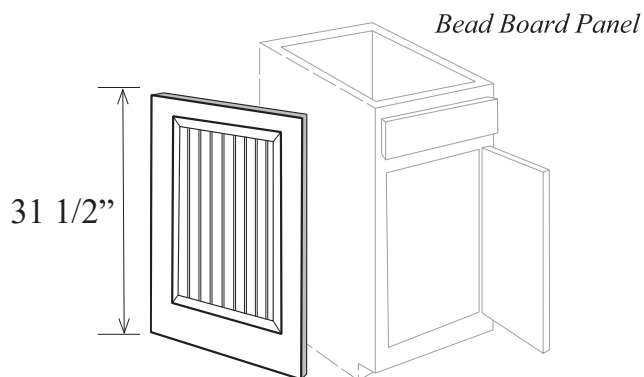
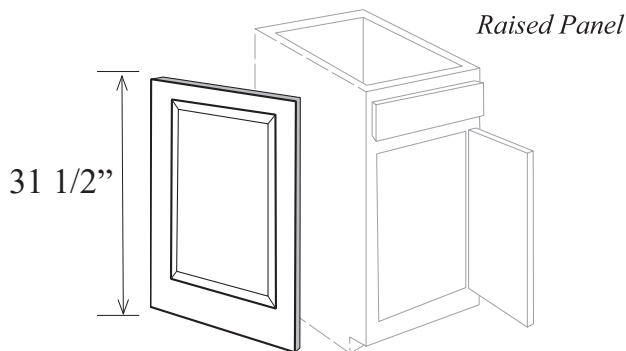
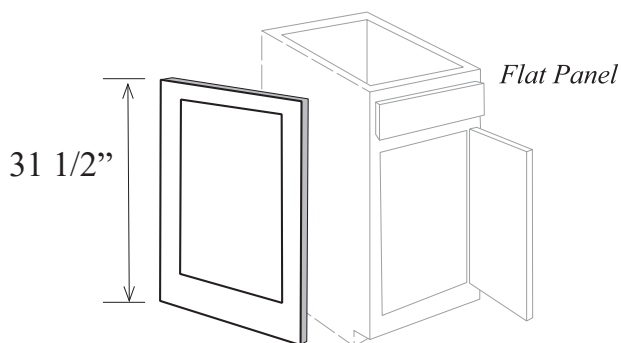
### Wood

Maple Wood	No Change
Oak Wood	No Change
Cherry Wood	+12%

### Finish

Stain	No Change
Stain with Glaze	Add 15%
Paint	Add 10%
Paint with Glaze	Add 20%
Paint with Rubbed Edges	Add 20%
Unfinished	-15%





**Note:** Order matching end panels by door style name.

**Matching End Panels**

Item No.	Width	Height	Thick	Price
EPDRV1	21"	31 1/2"	3/4" panel	562
EPDRV2	21"	34 1/2"	3/4" panel	572

**Matching Tall End Panels**

Item No.	Width	Height	Thick	Price
EPDRV8	21"	84"	3/4" panel	898
EPDRV9	21"	90"	3/4" panel	898
EPDRV10	21"	96"	3/4" panel	898

**PRICE VARIABLES**

**Wood**

Maple Wood	.....	No Change
Oak Wood	.....	No Change
Cherry Wood	.....	+12%

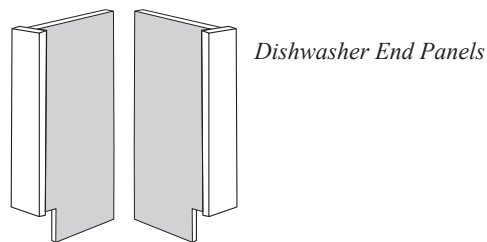
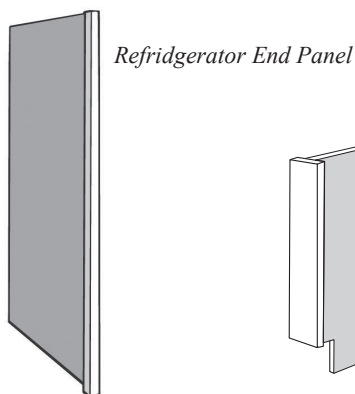
**Finish**

Stain	.....	No Change
Stain with Glaze	.....	Add 15%
Paint	.....	Add 10%
Paint with Glaze	.....	Add 20%
Paint with Rubbed Edges	.....	Add 20%
Unfinished	.....	-15%

# Appliance End Panels & Corbels

190

Appliance End Panels & Corbels

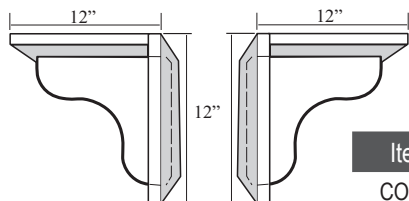


## Dishwasher End Panels

Item No.	Thick	Height	Depth		Price
DWL1	1 1/2"	34 1/2"	24"	left	175
DWL3	3"	34 1/2"	24"	left	175
DWR1	1 1/2"	34 1/2"	24"	right	175
DWR3	3"	34 1/2"	24"	right	175
DW1	1 1/2"	34 1/2"	24"	no toe kick cut out	175
DW3	3"	34 1/2"	24"	no toe kick cut out	175

## Refrigerator End Panels

Item No.	Thick	Height	Depth	Price
RF1	1 1/2"	84"	24"	500
RF13	3"	84"	24"	500
RF14	3/4"	84"	24"	500
RF2	1 1/2"	96"	24"	580
RF23	3/4"	96"	24"	580
RF24	3"	96"	24"	580
RF3	1 1/2"	90"	24"	540
RF33	3"	90"	24"	540
RF34	3/4"	90"	24"	540



Item No.	Width	Height	Depth	Price
CORBEL01	3"	12"	12"	290 each

## PRICE VARIABLES

### Wood

Maple Wood	..... No Change
Oak Wood	..... No Change
Cherry Wood	..... +12%

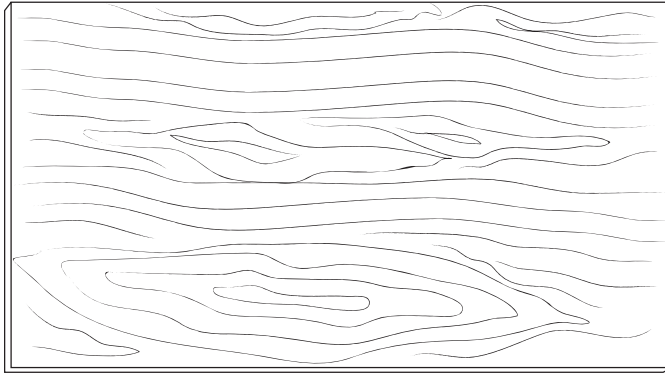
### Finish

Stain	..... No Change
Stain with Glaze	..... Add 15%
Paint	..... Add 10%
Paint with Glaze	..... Add 20%
Paint with Rubbed Edges	..... Add 20%
Unfinished	..... -15%

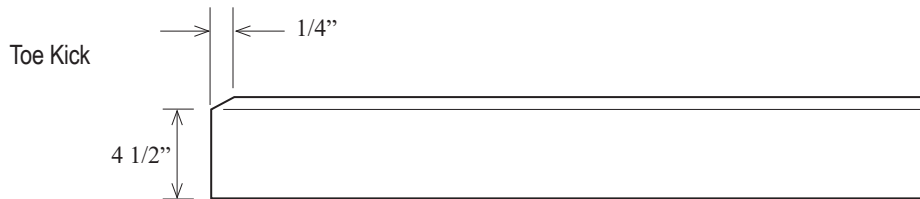
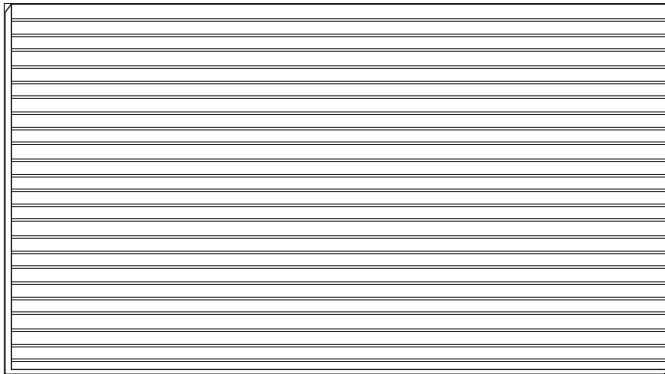




Standard Plywood Sheet



Beadboard Sheet



Item No.	Description	Dimensions	Price
PLY144896	1/4" Plywood Sheets	96"l x 48"w x 1/4"	548
PLY124896	1/2" Plywood Sheets	96"l x 48"w x 1/2"	648
PLY344896	3/4" Plywood Sheets	96"l x 48"w x 3/4"	748
PLY144896BB	1/4" Beadboard Sheets	96"l x 48"w x 1/4"	648
TK8	1/4" Toekick Cover	96"l x 4 1/2"w x 1/4"	80

**PRICE VARIABLES**

**Wood**

Maple Wood	..... No Change
Oak Wood	..... No Change
Cherry Wood	..... +12%

**Finish**

Stain	..... No Change
Stain with Glaze	..... Add 15%
Paint	..... Add 10%
Paint with Glaze	..... Add 20%
Paint with Rubbed Edges	..... Add 20%
Unfinished	..... -15%