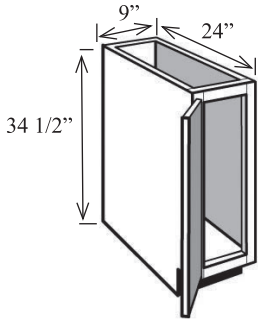


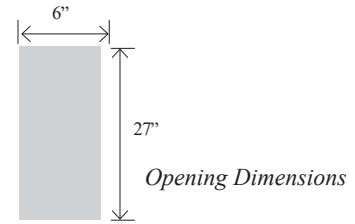


Solid Beauty for Every Kind of Kitchen

Base Cabinets

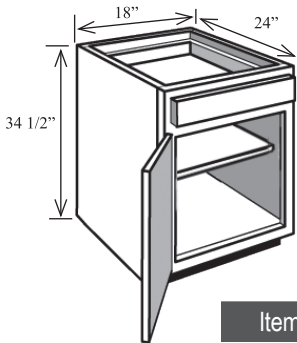


- Solid Panel Door
- No shelves
- BT09 has a tray divider.
- Specify hinge left or hinge right

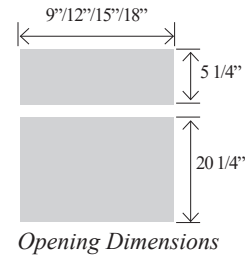


Item No.	Width	Height	Depth	Doors	Opening W	Opening H
B09L	9"	34 1/2"	24"	1	6"	27"
BT09L	9"	34 1/2"	24"	1	6"	27"
B09R	9"	34 1/2"	24"	1	6"	27"
BT09R	9"	34 1/2"	24"	1	6"	27"

See the prices and pricing variables on the opposite page.

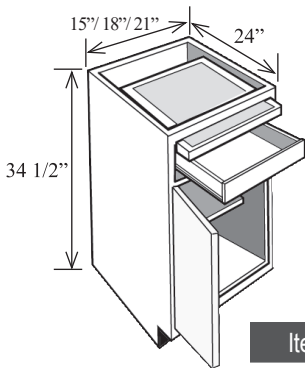


- One drawer
- One door
- One adjustable half shelf
- Specify hinge left or hinge right

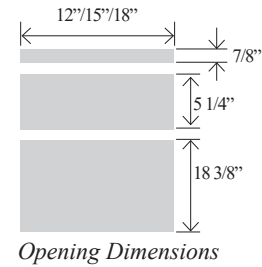


Item No.	Width	Height	Depth	Shelves	Doors	Drawers	Opening W	Opening H
B12L	12"	34 1/2"	24"	1	1	1	9"	20 1/4"
B15L	15"	34 1/2"	24"	1	1	1	12"	20 1/4"
B18L	18"	34 1/2"	24"	1	1	1	15"	20 1/4"
B21L	21"	34 1/2"	24"	1	1	1	18"	20 1/4"
B12R	12"	34 1/2"	24"	1	1	1	9"	20 1/4"
B15R	15"	34 1/2"	24"	1	1	1	12"	20 1/4"
B18R	18"	34 1/2"	24"	1	1	1	15"	20 1/4"
B21R	21"	34 1/2"	24"	1	1	1	18"	20 1/4"

See the prices and pricing variables on the opposite page.



- Removable cutting board pullout
- One adjustable half shelf
- One drawer
- Specify hinge left or hinge right
- No modifications



Item No.	Width	Height	Depth	Shelves	Doors	Drawers	Opening W	Opening H
BC15L	15"	34 1/2"	24"	1	1	1	12"	18 3/8"
BC18L	18"	34 1/2"	24"	1	1	1	15"	18 3/8"
BC21L	21"	34 1/2"	24"	1	1	1	18"	18 3/8"
BC15R	15"	34 1/2"	24"	1	1	1	12"	18 3/8"
BC18R	18"	34 1/2"	24"	1	1	1	15"	18 3/8"
BC21R	21"	34 1/2"	24"	1	1	1	18"	18 3/8"

See the prices and pricing variables on the opposite page.



CABINET PRICES					
Item No.	Level 1	Level 2	Level 3	Level 4	Level 5
B09L	576	600	666	761	888
B09R	576	600	666	761	888
BT09L	692	720	797	914	1066
BT09R	692	720	797	914	1066
B12L	735	879	958	1078	1238
B12R	735	879	958	1078	1238
B15L	898	922	1008	1135	1302
B15R	898	922	1008	1135	1302
B18L	951	980	1069	1205	1388
B18R	951	980	1069	1205	1388
B21L	994	1023	1119	1263	1452
B21R	994	1023	1119	1263	1452
BC15L	989	1018	1114	1257	1446
BC15R	989	1018	1114	1257	1446
BC18L	1056	1090	1195	1346	1550
BC18R	1056	1090	1195	1346	1550
BC21L	1143	1181	1296	1463	1688
BC21R	1143	1181	1296	1463	1688

PRICE VARIABLES

Cabinet

All Wood Box No Change
 Full Overlay No Change
 Same Species Interior Add 30%
 Finished Side Wall Cabinet \$80
 Finished Side Base Cabinet \$128
 Finished Side Tall Cabinet \$360
 Add Pull Out Tray \$192

Wood

Maple Wood No Change
 Oak Wood No Change
 Cherry Wood +12%

Finish

Stain No Change
 Stain with Glaze Add 15%
 Paint Add 10%
 Paint with Glaze Add 20%
 Paint with Rubbed Edges Add 20%
 Unfinished -15%

Doors

Glass Prep/ Same Species Interior Add 35%
 Glass Prep Mullion \$164 per door
 Arch Door \$26 per door
 Cathedral Door \$26 per door
 Soft Close Door \$20 per door

Drawer

Poplar Drawer Box-\$20 per drawer
 Maple drawer box No Change

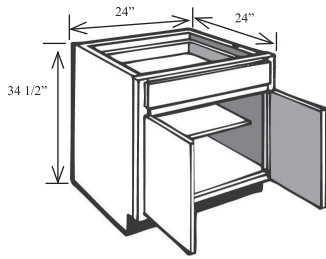
Glides

Full Ext. Ball Bearing Glide (F)-\$40 per drawer
 Soft Close Undermount Glide (S) No Change

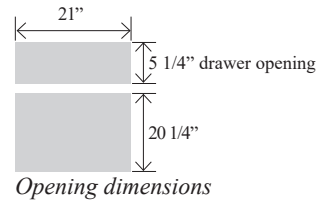
Base Cabinets

90

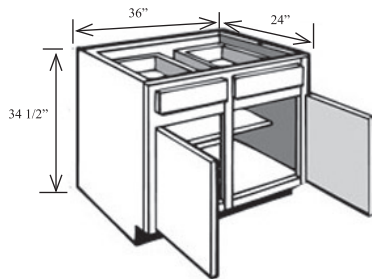
Base Cabinets



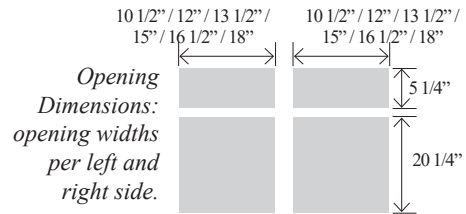
- One adjustable half shelf
- One drawer



Item No.	Width	Height	Depth	Shelves	Doors	Drawers	Opening W	Opening H
B24	24"	34 1/2"	24"	1	2	1	21"	20 1/4"
B24L	24"	34 1/2"	24"	1	1	1	21"	20 1/4"
B24R	24"	34 1/2"	24"	1	1	1	21"	20 1/4"



- One adjustable half shelf
- Two drawers



Item No.	Width	Height	Depth	Shelves	Doors	Drawers	Opening W	Opening H	CenterStile W
B27	27"	34 1/2"	24"	1	2	2	10 1/2"	20 1/4"	3"
B30	30"	34 1/2"	24"	1	2	2	12"	20 1/4"	3"
B33	33"	34 1/2"	24"	1	2	2	13 1/2"	20 1/4"	3"
B36	36"	34 1/2"	24"	1	2	2	15"	20 1/4"	3"
B39	39"	34 1/2"	24"	1	2	2	16 1/2"	20 1/4"	3"
B42	42"	34 1/2"	24"	1	2	2	18"	20 1/4"	3"



CABINET PRICES					
Item No.	Level 1	Level 2	Level 3	Level 4	Level 5
B24	1085	1119	1225	1384	1596
B24L	1085	1119	1225	1384	1596
B24R	1085	1119	1225	1384	1596
B27	1359	1397	1523	1701	1948
B30	1392	1431	1558	1742	1993
B33	1445	1484	1613	1806	2074
B36	1503	1546	1684	1885	2166
B39	1544	1586	1727	1942	2226
B42	1584	1632	1780	1997	2293

PRICE VARIABLES

Cabinet

All Wood Box No Change
 Full Overlay No Change
 Same Species Interior Add 30%
 Finished Side Wall Cabinet \$80
 Finished Side Base Cabinet \$128
 Finished Side Tall Cabinet \$360
 Add Pull Out Tray \$192

Wood

Maple Wood No Change
 Oak Wood No Change
 Cherry Wood +12%

Finish

Stain No Change
 Stain with Glaze Add 15%
 Paint Add 10%
 Paint with Glaze Add 20%
 Paint with Rubbed Edges Add 20%
 Unfinished -15%

Doors

Glass Prep/ Same Species Interior Add 35%
 Glass Prep Mullion \$164 per door
 Arch Door \$26 per door
 Cathedral Door \$26 per door
 Soft Close Door \$20 per door

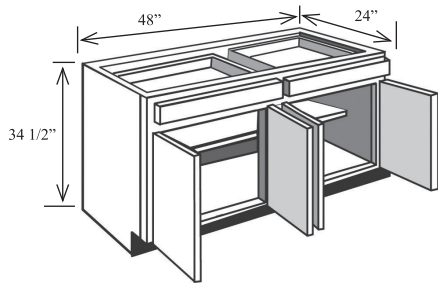
Drawer

Poplar Drawer Box-\$20 per drawer
 Maple Drawer Box No Change

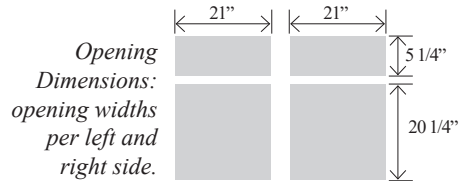
Glides

Full Ext. Ball Bearing Glide (F)-\$40 per drawer
 Soft Close Undermount Glide (S) No Change

Base Cabinets



- One adjustable half shelf
- Center divider



Item No.	Width	Height	Depth	Shelves	Doors	Drawers	Opening W	Opening H	Center Stile W
B48-4	48"	34 1/2"	24"	1	4	2	21"	20 1/4"	3"
B48-2	48"	34 1/2"	24"	1	2	2	21"	20 1/4"	3"

PRICE VARIABLES

Cabinet

- All Wood Box No Change
- Full Overlay No Change
- Same Species Interior Add 30%
- Finished Side Wall Cabinet \$80
- Finished Side Base Cabinet \$128
- Finished Side Tall Cabinet \$360
- Add Pull Out Tray \$192

Wood

- Maple Wood No Change
- Oak Wood No Change
- Cherry Wood +12%

Finish

- Stain No Change
- Stain with Glaze Add 15%
- Paint Add 10%
- Paint with Glaze Add 20%
- Paint with Rubbed Edges Add 20%
- Unfinished -15%

Doors

- Glass Prep/ Same Species Interior Add 35%
- Glass Prep Mullion \$164 per door
- Arch Door \$26 per door
- Cathedral Door \$26 per door
- Soft Close Door \$20 per door

Drawer

- Poplar Drawer Box-\$20 per drawer
- Maple Drawer Box No Change

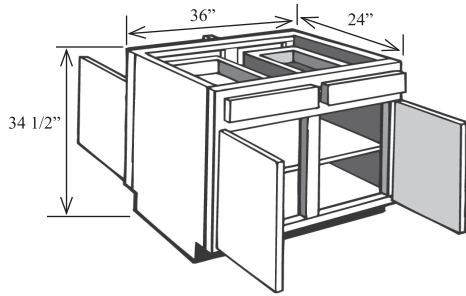
Glides

- Full Ext. Ball Bearing Glide (F)-\$40 per drawer
- Soft Close Undermount Glide (S) No Change

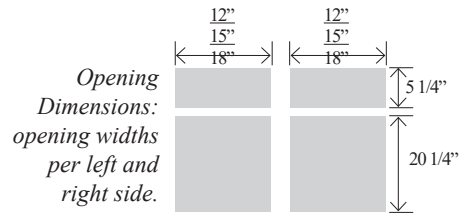
CABINET PRICES					
Item No.	Level 1	Level 2	Level 3	Level 4	Level 5
B48-2	1719	1772	1931	2170	2501
B48-4	1804	1861	2028	2279	2626



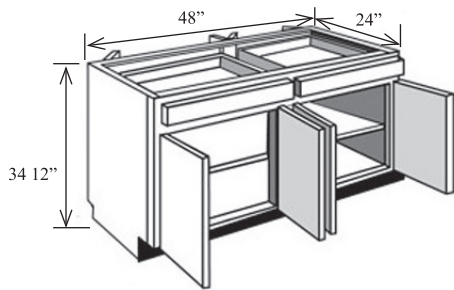
Base Island Cabinets



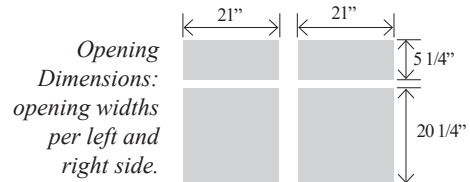
- One shelf
- Two drawers
- Two false drawer fronts



Item No.	Width	Height	Depth	Shelves	Doors	Drawers	Opening W	Opening H	Center Stile W
BI30	30"	34 1/2"	24"	1	4	2	12"	20 1/4"	3"
BI36	36"	34 1/2"	24"	1	4	2	15"	20 1/4"	3"
BI42	42"	34 1/2"	24"	1	4	2	18"	20 1/4"	3"



- One shelf
- Two drawers
- Two false drawer fronts
- Center divider



Item No.	Width	Height	Depth	Shelves	Doors	Drawers	Opening W	Opening H	Center Stile W
BI48	48"	34 1/2"	24"	1	8	2	21"	20 1/4"	3"

PRICE VARIABLES

Cabinet

- All Wood Box No Change
- Full Overlay No Change
- Same Species Interior. Add 30%
- Finished Side Wall Cabinet. \$80
- Finished Side Base Cabinet \$128
- Finished Side Tall Cabinet. \$360
- Add Pull Out Tray \$192

Wood

- Maple Wood No Change
- Oak Wood No Change
- Cherry Wood +12%

Finish

- Stain. No Change
- Stain with Glaze Add 15%
- Paint. Add 10%
- Paint with Glaze Add 20%
- Paint with Rubbed Edges Add 20%
- Unfinished -15%

Doors

- Glass Prep/ Same Species Interior Add 35%
- Glass Prep Mullion \$164 per door
- Arch Door \$26 per door
- Cathedral Door \$26 per door
- Soft Close Door \$20 per door

Drawer

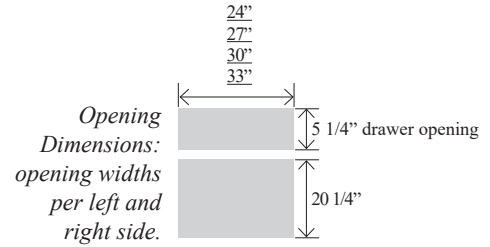
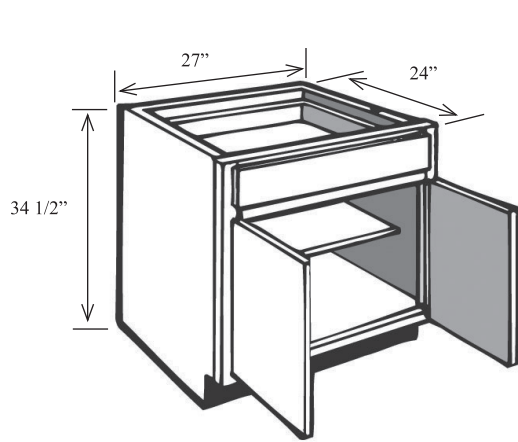
- Poplar Drawer Box \$20 per drawer
- Maple Drawer Box No Change

Glides

- Full Ext. Ball Bearing Glide (F) \$40 per drawer
- Soft Close Undermount Glide (S) No Change

CABINET PRICES					
Item No.	Level 1	Level 2	Level 3	Level 4	Level 5
BI30	2541	2621	2722	3028	3306
BI36	2695	2776	2890	3164	3515
BI42	2776	2863	2978	3321	3630
BI48-4	3052	3153	3280	3661	4011
BI48-8	3205	3311	3444	3844	4211

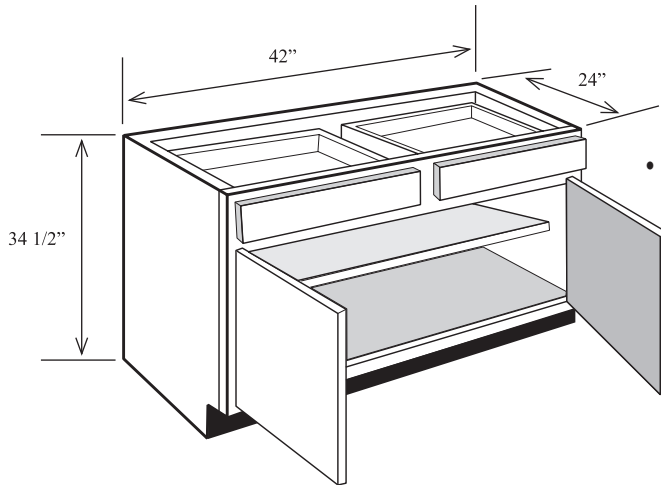
Butt Door Base Cabinets



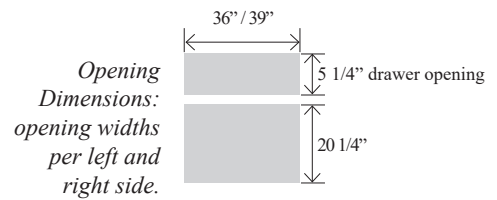
• One adjustable half shelf

Item No.	Width	Height	Depth	Shelves	Doors	Drawers	Opening W	Opening H
BBD27	27"	34 1/2"	24"	1	2	1	24"	20 1/4"
BBD30	30"	34 1/2"	24"	1	2	1	27"	20 1/4"
BBD33	33"	34 1/2"	24"	1	2	1	30"	20 1/4"
BBD36	36"	34 1/2"	24"	1	2	1	33"	20 1/4"

See the prices and pricing variables on the opposite page.



• One adjustable half shelf

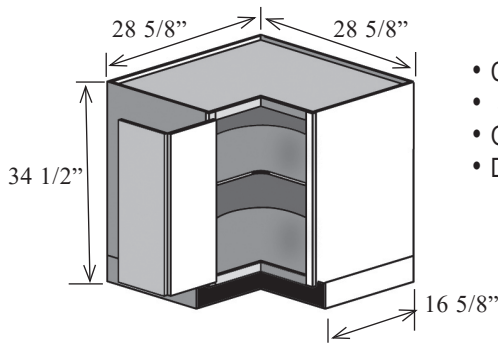


Item No.	Width	Height	Depth	Shelves	Doors	Drawers	Opening W	Opening H
BBD39	39"	34 1/2"	24"	1	2	2	36"	20 1/4"
BBD42	42"	34 1/2"	24"	1	2	2	39"	20 1/4"

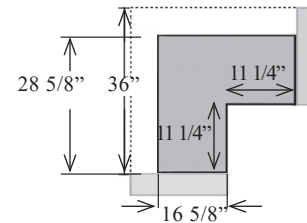
See the prices and pricing variables on the opposite page.



Base Corner Cabinets

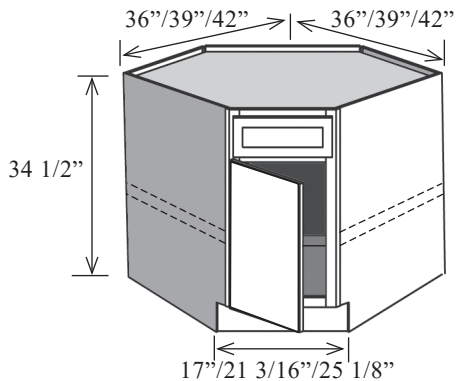


- Can be modified in height only
- Specify hinge left or hinge right
- One bi-fold door
- Depth is the measurement along the wall

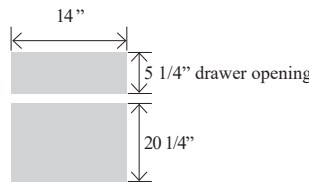


Note: Cabinet must be installed 7 3/8 inches from the wall.

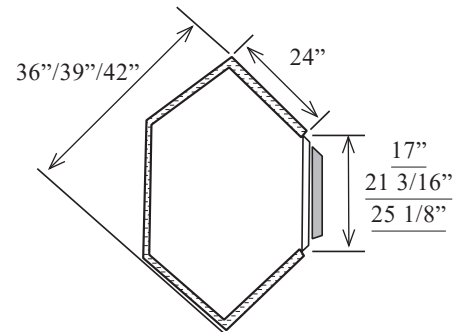
Item No.	Width from Corner	Height	Depth	Shelves	Doors	Opening W	Opening H
BCR36L	36"	34 1/2"	36"	1	1	11 1/4"	27"
BCR36R	36"	34 1/2"	36"	1	1	11 1/4"	27"



- Can be modified in height only
- One fixed shelf
- Specify hinge left or hinge right



Opening dimensions



Item No.	Width Along Wall	Height	Depth	Shelves	Doors	Drawers	Opening W	Opening L
BCD36L	36"	34 1/2"	24"	1	1	1	14"	5 1/4" / 20 1/4"
BCD36R	36"	34 1/2"	24"	1	1	1	14"	5 1/4" / 20 1/4"
BCD39L	39"	34 1/2"	24"	1	1	1	18 3/16"	5 1/4" / 20 1/4"
BCD39R	39"	34 1/2"	24"	1	1	1	18 3/16"	5 1/4" / 20 1/4"
BCD42	42"	34 1/2"	24"	1	2	1	22 1/8"	5 1/4" / 20 1/4"

PRICE VARIABLES

Cabinet

- All Wood Box No Change
- Full Overlay No Change
- Same Species Interior. Add 30%
- Finished Side Wall Cabinet. \$80
- Finished Side Base Cabinet \$128
- Finished Side Tall Cabinet. \$360
- Add Pull Out Tray \$192

Wood

- Maple Wood No Change
- Oak Wood No Change
- Cherry Wood +12%

Finish

- Stain. No Change
- Stain with Glaze Add 15%
- Paint. Add 10%
- Paint with Glaze Add 20%
- Paint with Rubbed Edges Add 20%
- Unfinished -15%

Drawer

- Poplar Drawer Box-\$20 per drawer
- Maple Drawer Box No Change

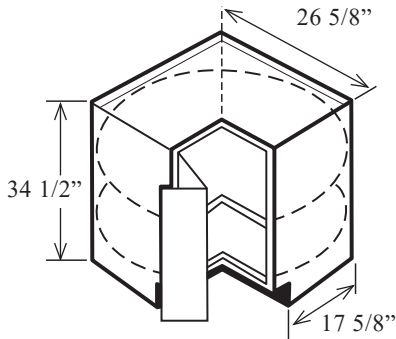
Glides

- Full Ext. Ball Bearing Glide (F)-\$40 per drawer
- Soft Close Undermount Glide (S) No Change

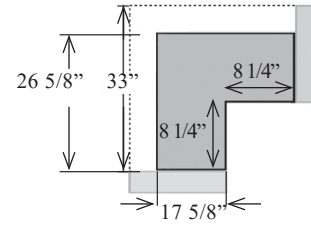
CABINET PRICES					
Item No.	Level 1	Level 2	Level 3	Level 4	Level 5
BBD27	1248	1287	1411	1595	1843
BBD30	1283	1325	1452	1642	1901
BBD33	1340	1599	1517	1716	1982
BBD36	1402	1450	1588	1801	2086
BBD39	1776	1829	1996	2244	2581
BBD42	1868	1925	2102	2366	2725
BCR36L	1037	1076	1190	1363	1446
BCR36R	1037	1076	1190	1363	1590
BCD36L	1320	1364	1492	1690	1954
BCD36R	1320	1364	1492	1690	1954
BCD39L	1484	1532	1679	1906	2207
BCD39R	1484	1532	1679	1906	2207
BCD42	1594	1647	1805	2049	2374

HARDWOOD
KITCHENS

Lazy Susan Base Cabinets



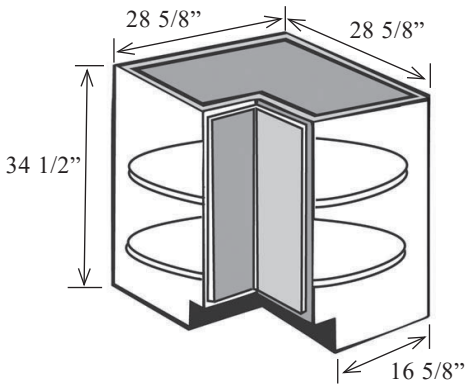
- No modifications
- Specify hinge left or hinge right
- One bi-fold door
- Two revolving plastic shelves
- Depth is the measurement along the wall
- 33W 1/2" overlay Solid Door



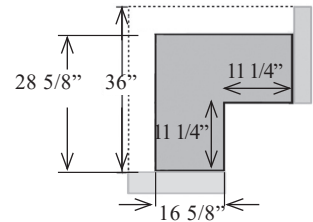
NOTE: Cabinet must be installed 6 3/8 inches from the wall.

Item No.	Width	Height	Depth	Shelves	Doors	Drawers	Opening W	Opening H
BLS33L	33" from corner	34 1/2"	33"	2	1	0	8 1/4"	27"
BLS33R	33" from corner	34 1/2"	33"	2	1	0	8 1/4"	27"

See the prices and pricing variables on the opposite page.



- No modifications
- Two revolving plastic shelves
- One bi-fold door
- Depth is the measurement along the wall
- Specify hinge left or hinge right



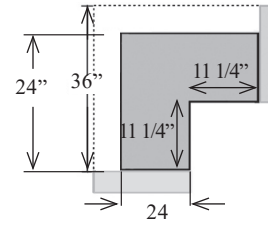
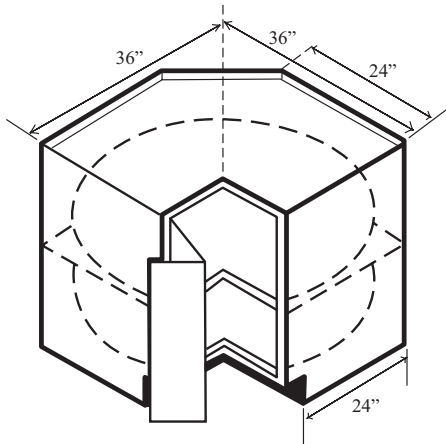
NOTE: Cabinet must be installed 7 3/4" from the wall.

Item No.	Width	Height	Depth	Shelves	Doors	Drawers	Opening W	Opening H
BLS36L	36" from corner	34 1/2"	36"	2	1	0	11 1/4"	27"
BLS36R	36" from corner	34 1/2"	36"	2	1	0	11 1/4"	27"

See the prices and pricing variables on the opposite page.



Super Susan Base Cabinets



- No modifications
- Specify hinge left or hinge right
- One bi-fold door
- Two revolving wood shelves
- Depth is the measurement along the wall

Item No.	Width	Height	Depth	Shelves	Doors	Drawers	Opening W	Opening H
BSS36L	36" from corner	34 1/2"	36"	2	1	0	11 1/4"	27"
BSS36R	36" from corner	34 1/2"	36"	2	1	0	11 1/4"	27"

CABINET PRICES					
Item No.	Level 1	Level 2	Level 3	Level 4	Level 5
BLS33L	1167	1215	1277	1397	1498
BLS33R	1167	1215	1277	1397	1498
BLS36L	1364	1416	1488	1632	1743
BLS36R	1364	1416	1488	1632	1743
BSS36L	1719	1786	1877	2055	2199
BSS36R	1719	1786	1877	2055	2199

PRICE VARIABLES

Cabinet

All Wood Box	No Change
Full Overlay	No Change
Same Species Interior	Add 30%
Finished Side Wall Cabinet	\$80
Finished Side Base Cabinet	\$128
Finished Side Tall Cabinet	\$360

Wood

Maple Wood	No Change
Oak Wood	No Change
Cherry Wood	+12%

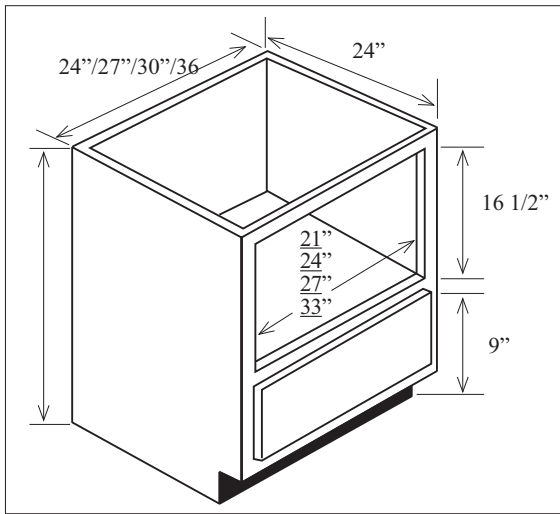
Finish

Stain	No Change
Stain with Glaze	Add 15%
Paint	Add 10%
Paint with Glaze	Add 20%
Paint with Rubbed Edges	Add 20%
Unfinished	-15%

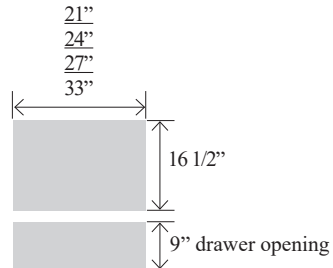
Microwave Base Cabinets

98

Microwave Base Cabinets



• One drawer



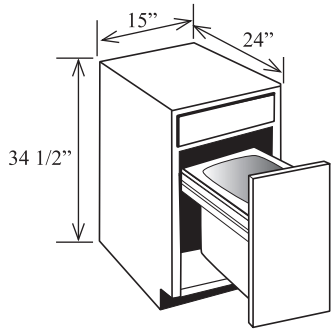
Opening dimensions

Item No.	Width	Height	Depth	Drawers	Opening W	Opening H
BM24	24"	34 1/2"	24"	1	21"	16 1/2"/9"
BM27	27"	34 1/2"	24"	1	24"	16 1/2"/9"
BM30	30"	34 1/2"	24"	1	27"	16 1/2"/9"
BM36	36"	34 1/2"	24"	1	33"	16 1/2"/9"

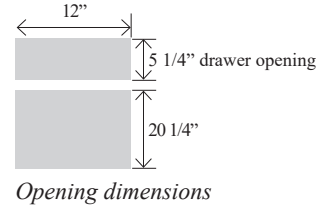
See the prices and pricing variables on the opposite page.



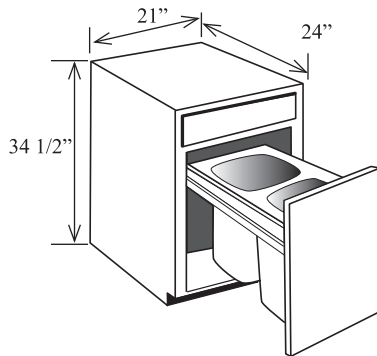
Waste & Recycling Base Cabinets



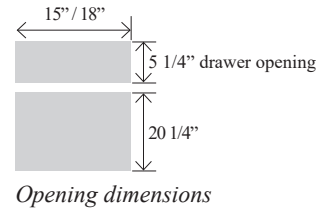
- 1 plastic can
- No modifications



Item No.	Width	Height	Depth	Doors	Drawers	Opening W	Opening H
BWB15	15"	34 1/2"	24"	1	1	12"	20 1/4"



- Two plastic cans
- No modifications



Item No.	Width	Height	Depth	Doors	Drawers	Opening W	Opening H
BR18	18"	34 1/2"	24"	1	1	15"	20 1/4"
BR21	21"	34 1/2"	24"	1	1	18"	20 1/4"

PRICE VARIABLES

Cabinet

All Wood Box	No Change
Full Overlay	No Change
Same Species Interior	Add 30%
Finished Side Base Cabinet	\$128
Finished Side Tall Cabinet	\$360

Wood

Maple Wood	No Change
Oak Wood	No Change
Cherry Wood	+12%

Finish

Stain	No Change
Stain with Glaze	Add 15%
Paint	Add 10%
Paint with Glaze	Add 20%
Paint with Rubbed Edges	Add 20%
Unfinished	-15%

Doors

Glass Prep/ Same Species Interior	Add 35%
Glass Prep Mullion	\$164 per door
Arch Door	\$26 per door
Cathedral Door	\$26 per door
Soft Close Door	\$20 per door

Drawer

Poplar Drawer Box	-\$20 per drawer
Maple Drawer Box	No Change

Glides

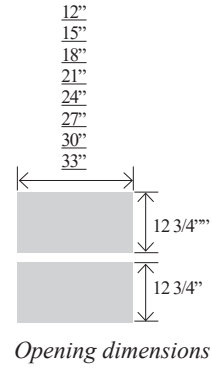
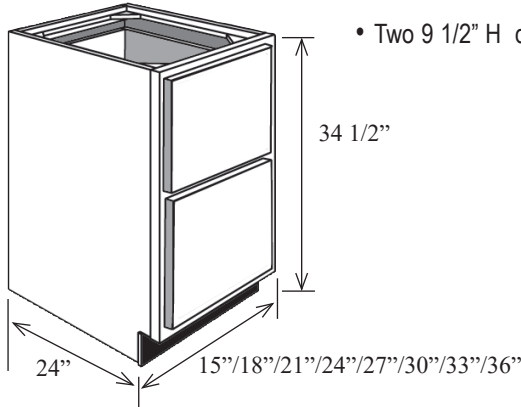
Full Ext. Ball Bearing Glide (F)	-\$40 per drawer
Soft Close Undermount Glide (S)	No Change

CABINET PRICES					
Item No.	Level 1	Level 2	Level 3	Level 4	Level 5
BM24	1141	1180	1231	1405	1565
BM27	1141	1180	1231	1405	1565
BM30	1210	1249	1305	1487	1661
BM36	1240	1283	1339	1528	1704
BWB15	1279	1322	1382	1578	1762
BR18	1396	1444	1508	1724	1925
BR21	1447	1499	1569	1793	2002

Drawer Base Cabinets

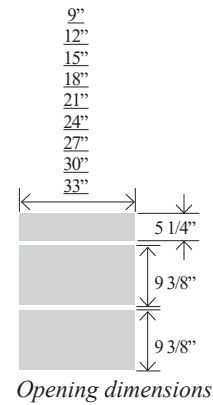
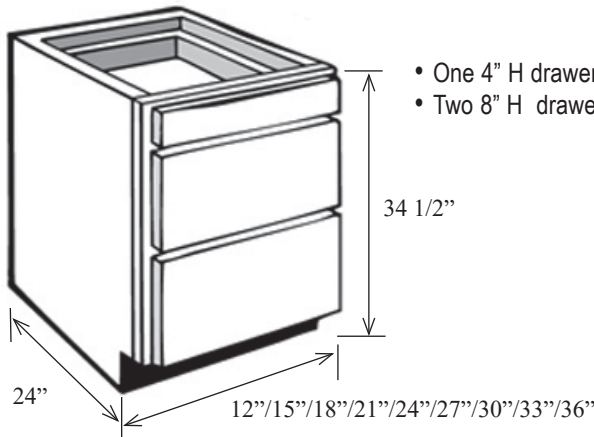
100

Drawer Base Cabinets



Item No.	Width	Height	Depth	Drawers	Opening W	Opening H
B2D15	15"	34 1/2"	24"	2	12"	12 3/4"
B2D18	18"	34 1/2"	24"	2	15"	12 3/4"
B2D21	21"	34 1/2"	24"	2	18"	12 3/4"
B2D24	24"	34 1/2"	24"	2	21"	12 3/4"
B2D27	27"	34 1/2"	24"	2	24"	12 3/4"
B2D30	30"	34 1/2"	24"	2	27"	12 3/4"
B2D33	33"	34 1/2"	24"	2	30"	12 3/4"
B2D36	36"	34 1/2"	24"	2	33"	12 3/4"

See the prices and pricing variables on the opposite page.



Item No.	Width	Height	Depth	Drawers	Opening W	Opening H
B3D12	12"	34 1/2"	24"	3	9"	5 1/4" / 9 3/8"
B3D15	15"	34 1/2"	24"	3	12"	5 1/4" / 9 3/8"
B3D18	18"	34 1/2"	24"	3	15"	5 1/4" / 9 3/8"
B3D21	21"	34 1/2"	24"	3	18"	5 1/4" / 9 3/8"
B3D24	24"	34 1/2"	24"	3	21"	5 1/4" / 9 3/8"
B3D27	27"	34 1/2"	24"	3	24"	5 1/4" / 9 3/8"
B3D30	30"	34 1/2"	24"	3	27"	5 1/4" / 9 3/8"
B3D33	33"	34 1/2"	24"	3	30"	5 1/4" / 9 3/8"
B3D36	36"	34 1/2"	24"	3	33"	5 1/4" / 9 3/8"

See the prices and pricing variables on the opposite page.



CABINET PRICES					
Item No.	Level 1	Level 2	Level 3	Level 4	Level 5
B2D15	1102	1128	1166	1309	1445
B2D18	1137	1166	1206	1355	1498
B2D21	1175	1206	1249	1405	1551
B2D24	1219	1249	1292	1455	1608
B2D27	1257	1292	1339	1510	1671
B2D24	1219	1249	1292	1455	1608
B2D30	1301	1337	1382	1560	1728
B2D33	1344	1382	1435	1619	1791
B2D36	1396	1435	1490	1683	1863
B3D12	1322	1353	1391	1550	1700
B3D15	1365	1396	1439	1606	1762
B3D18	1422	1456	1504	1679	1844
B3D21	1447	1482	1530	1710	1877
B3D24	1469	1504	1552	1733	1906
B3D27	1512	1547	1598	1788	1968
B3D30	1555	1595	1646	1847	2031
B3D33	1607	1646	1703	1907	2103
B3D36	1655	1698	1754	1970	2175

PRICE VARIABLES

Cabinet

- All Wood Box No Change
- Full Overlay No Change
- Same Species Interior. Add 30%
- Finished Side Base Cabinet \$128
- Finished Side Tall Cabinet. \$360
- Add Pull Out Tray \$192

Wood

- Maple Wood No Change
- Oak Wood No Change
- Cherry Wood +12%

Finish

- Stain. No Change
- Stain with Glaze Add 15%
- Paint. Add 10%
- Paint with Glaze Add 20%
- Paint with Rubbed Edges Add 20%
- Unfinished -15%

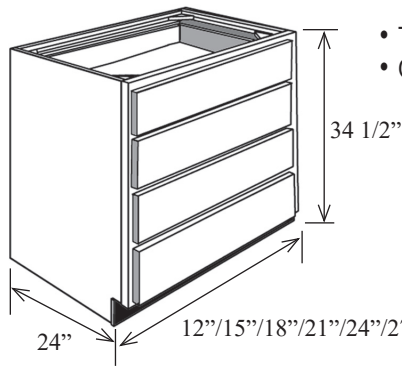
Drawer

- Poplar Drawer Box-\$20 per drawer
- Maple Drawer Box No Change

Glides

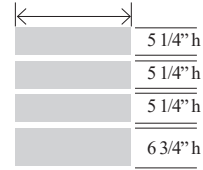
- Full Ext. Ball Bearing Glide (F)-\$40 per drawer
- Soft Close Undermount Glide (S) No Change

Drawer Base Cabinets



- Three 4" H drawer boxes
- One 5" H drawer box

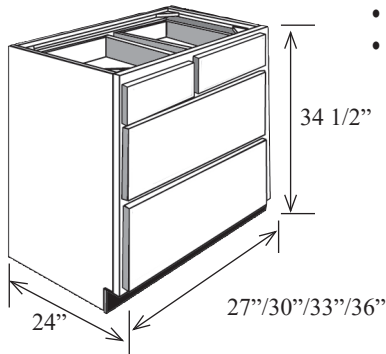
12"
15"
18"
21"
24"
27"
30"
33"
36"



Opening dimensions

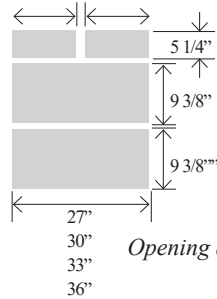
Item No.	Width	Height	Depth	Drawers	Opening W	Opening H
B4D12	12"	34 1/2"	24"	4	9"	5 1/4" / 6 3/4"
B4D15	15"	34 1/2"	24"	4	12"	5 1/4" / 6 3/4"
B4D18	18"	34 1/2"	24"	4	15"	5 1/4" / 6 3/4"
B4D21	21"	34 1/2"	24"	4	18"	5 1/4" / 6 3/4"
B4D24	24"	34 1/2"	24"	4	21"	5 1/4" / 6 3/4"
B4D27	27"	34 1/2"	24"	4	24"	5 1/4" / 6 3/4"
B4D30	30"	34 1/2"	24"	4	27"	5 1/4" / 6 3/4"
B4D33	33"	34 1/2"	24"	4	30"	5 1/4" / 6 3/4"
B4D36	36"	34 1/2"	24"	4	33"	5 1/4" / 6 3/4"

See the prices and pricing variables on the opposite page.



- Two 4" drawer boxes
- Two 8" H drawer boxes

10 1/2" 10 1/2"
12" 12"
13 1/2" 13 1/2"
15" 15"



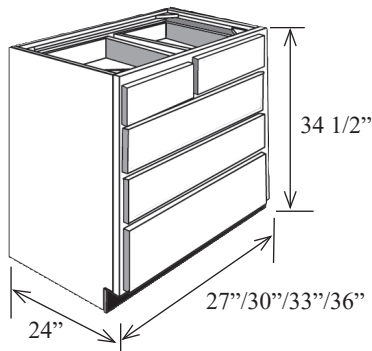
Opening dimensions

Item No.	Width	Height	Depth	Drawers	Opening W	Opening H
B4DS27	27"	34 1/2"	24"	4	10 1/2" / 24"	5 1/4" / 9 3/8"
B4DS30	30"	34 1/2"	24"	4	12" / 27"	5 1/4" / 9 3/8"
B4DS33	33"	34 1/2"	24"	4	13 1/2" / 30"	5 1/4" / 9 3/8"
B4DS36	36"	34 1/2"	24"	4	15" / 33"	5 1/4" / 9 3/8"

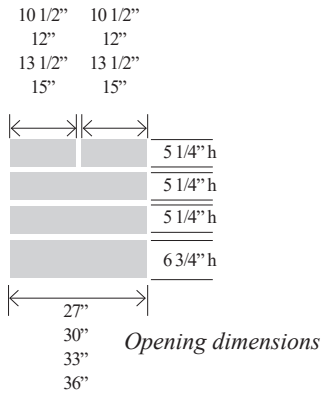
See the prices and pricing variables on the opposite page.



Drawer Base Cabinets



- Four 4" drawer boxes
- One 5" H drawer box



Item No.	Width	Height	Depth	Drawers	Opening W	Opening H
B5DS27	27"	34 1/2"	24"	5	10 1/2" / 24"	5 1/4" / 6 3/4"
B5DS30	30"	34 1/2"	24"	5	12" / 27"	5 1/4" / 6 3/4"
B5DS33	33"	34 1/2"	24"	5	13 1/2" / 30"	5 1/4" / 6 3/4"
B5DS36	36"	34 1/2"	24"	5	15" / 33"	5 1/4" / 6 3/4"

CABINET PRICES					
Item No.	Level 1	Level 2	Level 3	Level 4	Level 5
B4D12	1573	1603	1646	1824	1992
B4D15	1607	1642	1685	1870	2045
B4D18	1655	1689	1737	1929	2112
B4D21	1703	1737	1789	1988	2180
B4D24	1750	1789	1841	2052	2247
B4D27	1802	1841	1897	2112	2319
B4D30	1854	1897	1953	2180	2396
B4D33	1910	1953	2013	2249	2472
B4D36	1962	2009	2074	2317	2549
B4DS30	1793	2156	1888	2102	2309
B4DS33	1841	1884	1940	2166	2376
B4DS36	1890	1940	2001	2234	2453
B5DS27	2022	2066	2121	2353	2578
B5DS30	2078	2121	2182	2422	2655
B5DS33	2130	2243	2238	2490	2732
B5DS36	2191	2238	2303	2563	2813

PRICE VARIABLES

Cabinet

All Wood Box	No Change
Full Overlay	No Change
Same Species Interior	Add 30%
Finished Side Base Cabinet	\$128
Finished Side Tall Cabinet	\$360
Add Pull Out Tray	\$192

Wood

Maple Wood	No Change
Oak Wood	No Change
Cherry Wood	+12%

Finish

Stain	No Change
Stain with Glaze	Add 15%
Paint	Add 10%
Paint with Glaze	Add 20%
Paint with Rubbed Edges	Add 20%
Unfinished	-15%

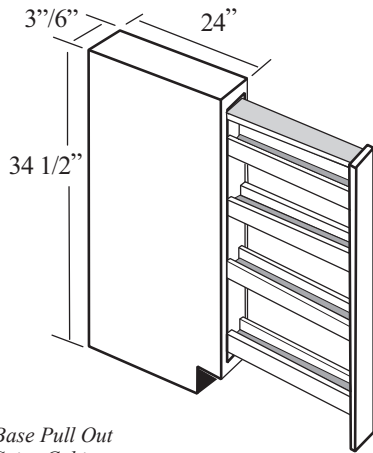
Drawer

Poplar Drawer Box	-\$20 per drawer
Maple drawer box	No Change

Glides

Full Ext. Ball Bearing Glide (F)	-\$40 per drawer
Soft Close Undermount Glide (S)	No Change

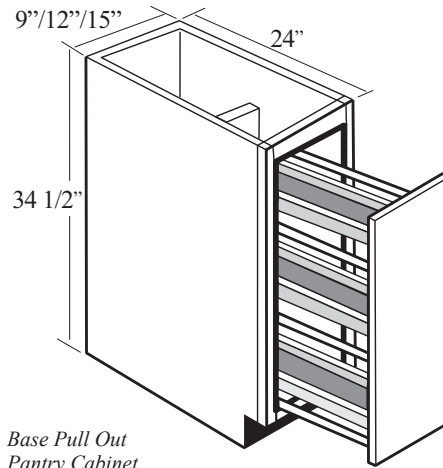
Pantry & Spice Pullout Base Cabinets



Base Pull Out Spice Cabinet

- Must mount between two cabinets
- No Box

Item No.	Width	Height	Depth
BPS03	3"	34 1/2"	24"
BPS06	6"	34 1/2"	24"



Base Pull Out Pantry Cabinet

Item No.	Width	Height	Depth
BPP09	9"	34 1/2"	24"
BPP12	12"	34 1/2"	24"
BPP15	15"	34 1/2"	24"

CABINET PRICES					
Item No.	Level 1	Level 2	Level 3	Level 4	Level 5
BPS03	1346	1346	1346	1408	1469
BPS06	1452	1452	1452	1518	1584
BPP09	1452	1485	1564	1808	2023
BPP12	1484	1542	1621	1855	2074
BPP15	1521	1584	1663	1904	2126

PRICE VARIABLES

Cabinet

- All Wood Box No Change
- Full Overlay No Change
- Same Species Interior Add 30%
- Finished Side Base Cabinet \$128

Wood

- Maple Wood No Change
- Oak Wood No Change
- Cherry Wood +12%

Finish

- Stain No Change
- Stain with Glaze Add 15%
- Paint Add 10%
- Paint with Glaze Add 20%
- Paint with Rubbed Edges Add 20%
- Unfinished -15%

Doors

- Glass Prep/ Same Species Interior Add 35%
- Glass Prep Mullion \$164 per door
- Arch Door \$26 per door
- Cathedral Door \$26 per door
- Soft Close Door \$20 per door

Drawer

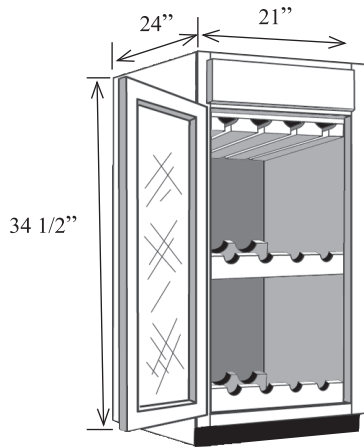
- Poplar Drawer Box -\$20 per drawer
- Maple Drawer Box No Change

Glides

- Full Ext. Ball Bearing Glide (F) -\$40 per drawer
- Soft Close Undermount Glide (S) No Change

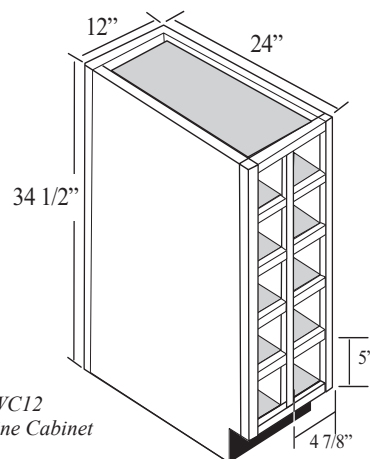
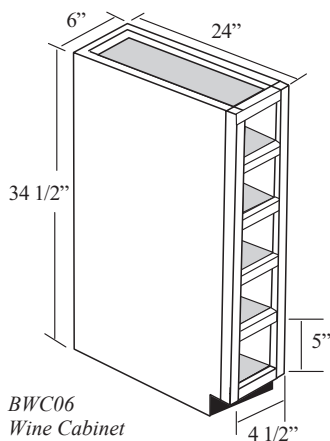


Wine Storage Base Cabinets



- Top stemware rack
- Glass Door
- Same species interior
- Specify hinge left or hinge right
- No modifications

Item No.	Width	Height	Depth	Bottles	Doors	Drawers	Opening W	Opening H
BWC21L	21"	34 1/2"	24"	12	1	1	18"	20 1/4"
BWC21R	21"	34 1/2"	24"	12	1	1	18"	20 1/4"



- Frameless construction

PRICE VARIABLES

Cabinet

All Wood Box	No Change
Full Overlay	No Change
Same Species Interior	Add 30%
Finished Side Base Cabinet	\$128

Wood

Maple Wood	No Change
Oak Wood	No Change
Cherry Wood	+12%

Finish

Stain	No Change
Stain with Glaze	Add 15%
Paint	Add 10%
Paint with Glaze	Add 20%
Paint with Rubbed Edges	Add 20%
Unfinished	-15%

Doors

Glass Prep/ Same Species Interior	Add 35%
Glass Prep Mullion	\$164 per door
Arch Door	\$26 per door
Cathedral Door	\$26 per door
Soft Close Door	\$20 per door

Drawer

Poplar Drawer Box	-\$20 per drawer
Maple Drawer Box	No Change

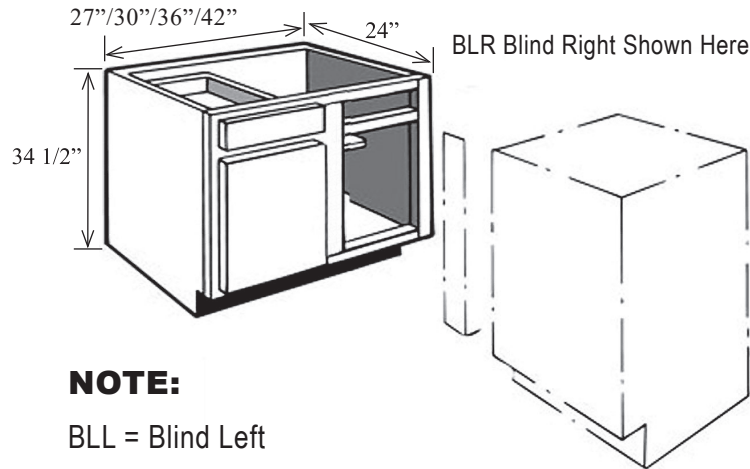
Glides

Full Ext. Ball Bearing Glide (F)	-\$40 per drawer
Soft Close Undermount Glide (S)	No Change

Item No.	Width	Height	Depth	Bottles
BWC06	6"	34 1/2"	24"	5
BWC12	12"	34 1/2"	24"	10

CABINET PRICES					
Item No.	Level 1	Level 2	Level 3	Level 4	Level 5
BWC21L	1194	1231	1284	1447	1596
BWC21R	1194	1231	1284	1447	1596
BWC06	581	581	581	607	634
BWC12	1104	1104	1104	1155	1205

Blind Corner Base Cabinets

**NOTE:**

BLL = Blind Left

BLR = Blind Right

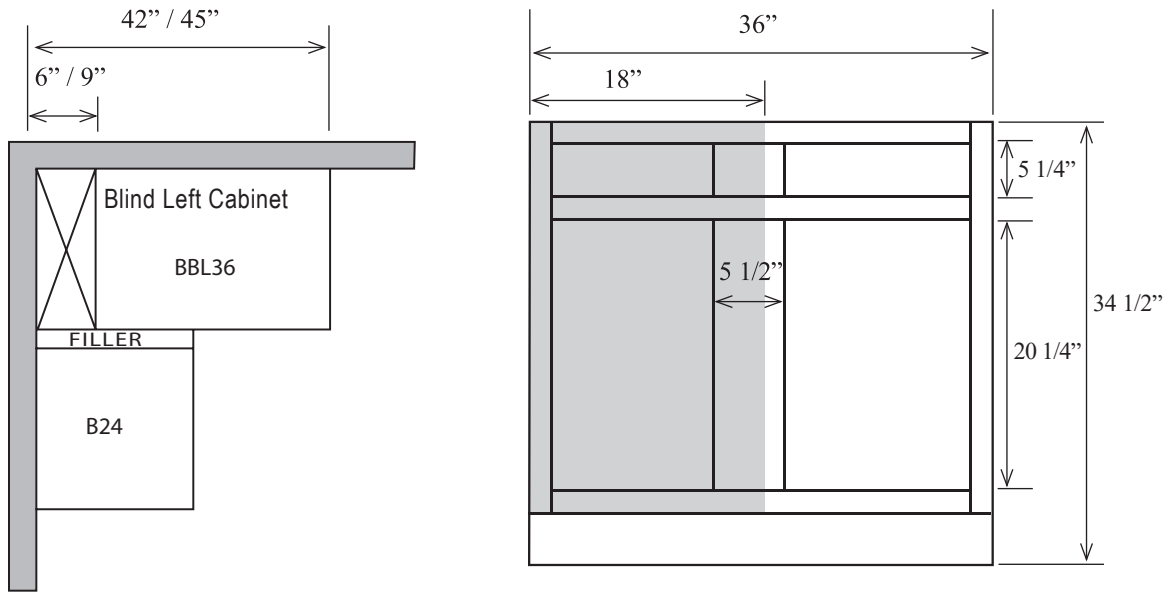
- One adjustable half shelf
- Center divider
- Specify hinge left or hinge right
- 27" w cabinets have solid door and 1/2" overlay
- 48" w cabinet has two drawers

Note: Order 6"-9" smaller than wall space as it can be pulled 6"-9" from the wall.

Item No.	Width	Height	Depth	Shelves	Doors	Drawers	Opening W	Opening H	Blind Stile W
BLR27L	27"	34 1/2"	24"	1	1	-	6"	5 1/4" / 20 1/4"	5 1/2"
BLR30L	30"	34 1/2"	24"	1	1	1	9"	5 1/4" / 20 1/4"	5 1/2"
BLR33L	33"	34 1/2"	24"	1	1	1	12"	5 1/4" / 20 1/4"	5 1/2"
BLR36L	36"	34 1/2"	24"	1	1	1	15"	5 1/4" / 20 1/4"	5 1/2"
BLR27R	27"	34 1/2"	24"	1	1	-	6"	5 1/4" / 20 1/4"	5 1/2"
BLR30R	30"	34 1/2"	24"	1	1	1	9"	5 1/4" / 20 1/4"	5 1/2"
BLR33R	33"	34 1/2"	24"	1	1	1	12"	5 1/4" / 20 1/4"	5 1/2"
BLR36R	36"	34 1/2"	24"	1	1	1	15"	5 1/4" / 20 1/4"	5 1/2"
BLR42	42"	34 1/2"	24"	1	2	1	21"	5 1/4" / 20 1/4"	5 1/2"
BLR48	48"	34 1/2"	24"	1	2	2	12"	5 1/4" / 20 1/4"	5 1/2"
BLL27L	27"	34 1/2"	24"	1	1	-	6"	5 1/4" / 20 1/4"	5 1/2"
BLL30L	30"	34 1/2"	24"	1	1	1	9"	5 1/4" / 20 1/4"	5 1/2"
BLL33L	33"	34 1/2"	24"	1	1	1	12"	5 1/4" / 20 1/4"	5 1/2"
BLL36L	36"	34 1/2"	24"	1	1	1	15"	5 1/4" / 20 1/4"	5 1/2"
BLL27R	27"	34 1/2"	24"	1	1	-	6"	5 1/4" / 20 1/4"	5 1/2"
BLL30R	30"	34 1/2"	24"	1	1	1	9"	5 1/4" / 20 1/4"	5 1/2"
BLL33R	33"	34 1/2"	24"	1	1	1	12"	5 1/4" / 20 1/4"	5 1/2"
BLL36R	36"	34 1/2"	24"	1	1	1	15"	5 1/4" / 20 1/4"	5 1/2"
BLL42	42"	34 1/2"	24"	1	2	1	21"	5 1/4" / 20 1/4"	5 1/2"
BLL48	48"	34 1/2"	24"	1	2	2	12"	5 1/4" / 20 1/4"	5 1/2"



Blind Corner Base Cabinets



CABINET PRICES					
Item No.	Level 1	Level 2	Level 3	Level 4	Level 5
BLL27L	1138	1176	1285	1452	1676
BLL27R	1138	1176	1285	1452	1676
BLL30L	1172	1210	1326	1500	1728
BLL30R	1172	1210	1326	1500	1728
BLL33L	1215	1253	1371	1553	1792
BLL33R	1215	1253	1371	1553	1792
BLL36L	1272	1316	1442	1632	1884
BLL36R	1272	1316	1442	312	1884
BLL39L	1368	1412	1548	1753	2028
BLL39R	1368	1412	1548	1753	2028
BLL42	1354	1397	1533	1733	2005
BLL48	1613	1661	1810	2033	2333
BLR27L	1138	1176	1285	1452	1676
BLR27R	1138	1176	1285	1452	1676
BLR30L	1172	1210	1326	1500	1728
BLR30R	1172	1210	1326	1500	1728
BLR33L	1215	1253	1371	1553	1792
BLR33R	1215	1253	1371	1553	1792
BLR36L	1272	1316	1442	1632	1884
BLR36R	1272	1316	1442	1632	1884
BLR39L	1368	1412	1548	1753	2028
BLR39R	1368	1412	1548	1753	2028
BLR42	1354	1397	1533	1733	2005
BLR48	1613	1661	1810	2033	2333

PRICE VARIABLES

Cabinet

All Wood Box No Change
 Full Overlay No Change
 Same Species Interior..... Add 30%
 Finished Side Base Cabinet \$128

Wood

Maple Wood No Change
 Oak Wood No Change
 Cherry Wood +12%

Finish

Stain No Change
 Stain with Glaze Add 15%
 Paint Add 10%
 Paint with Glaze Add 20%
 Paint with Rubbed Edges Add 20%
 Unfinished -15%

Doors

Glass Prep/ Same Species Interior Add 35%
 Glass Prep Mullion \$164 per door
 Arch Door \$26 per door
 Cathedral Door \$26 per door
 Soft Close Door \$20 per door

Drawer

Poplar Drawer Box-\$20 per drawer
 Maple Drawer Box No Change

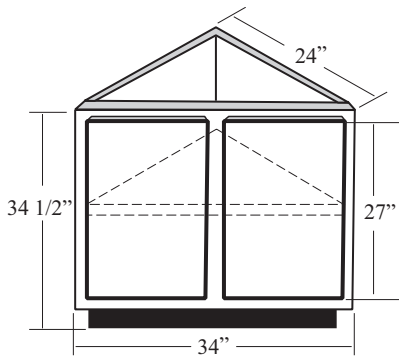
Glides

Full Ext. Ball Bearing Glide (F)-\$40 per drawer
 Soft Close Undermount Glide (S) No Change

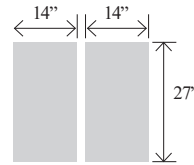
Angled Base Cabinets

108

Angeled Base Cabinets



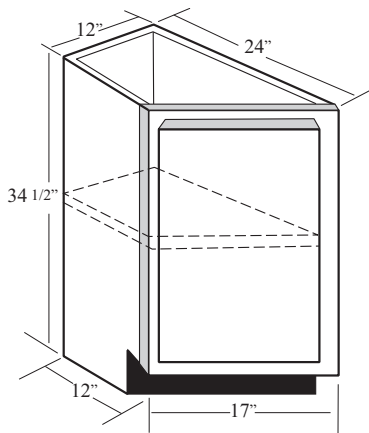
Diagonal Angled Base Cabinet



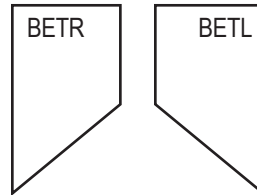
Note: opening dimensions

- One Shelf
- No modifications

Item No.	Width	Height	Depth	Doors	Shelves	Opening W	Opening H
BAC24	24"	34 1/2"	24"	2	1	14"	27"



Transitional Angled Base Cabinet

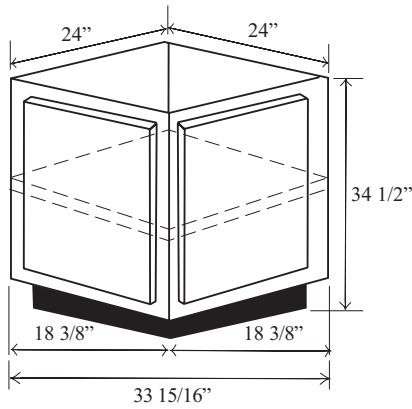


- 45° angle; hinged on 12" side
- One Shelf
- Specify hinge left or hinge right
- No modifications

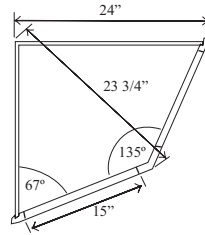
Item No.	Width	Height	Depth	Doors	Shelves	Opening W	Opening H
BETL12	17 1/2"	34 1/2"	24"	1	1	14"	27"
BETR12	17 1/2"	34 1/2"	24"	1	1	14"	27"



Angled Base Cabinets



Angled End Base Cabinet



- One Shelf
- No modifications

Item No.	Width	Height	Depth	Doors	Shelves	Opening W	Opening H
BAE24	15"	34 1/2"	24"	2	1	15 3/8" / 15 3/8"	27"

CABINET PRICES					
Item No.	Level 1	Level 2	Level 3	Level 4	Level 5
BAC24	1104	1148	1265	1452	1694
BETL12	773	802	887	1020	1187
BETR12	773	802	887	1020	1187
BAE24	1052	1095	1210	1389	1619

PRICE VARIABLES

Cabinet

- All Wood Box No Change
- Full Overlay No Change
- Same Species Interior Add 30%
- Finished Side Base Cabinet \$128

Wood

- Maple Wood No Change
- Oak Wood No Change
- Cherry Wood +12%

Finish

- Stain No Change
- Stain with Glaze Add 15%
- Paint Add 10%
- Paint with Glaze Add 20%
- Paint with Rubbed Edges Add 20%
- Unfinished -15%

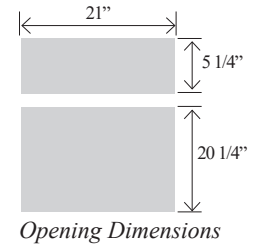
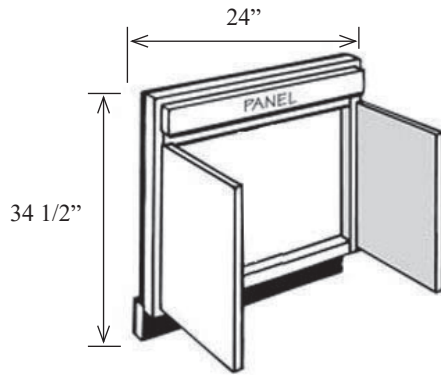
Doors

- Glass Prep/ Same Species Interior Add 35%
- Glass Prep Mullion \$164 per door
- Arch Door \$26 per door
- Cathedral Door \$26 per door
- Soft Close Door \$20 per door

Sink Fronts

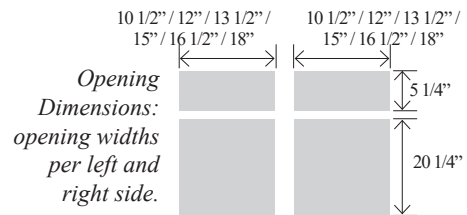
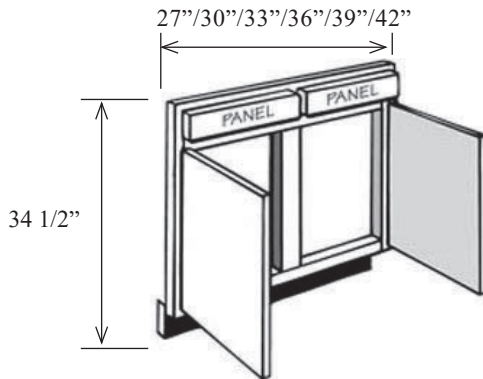
110

Sink Fronts



- One false drawer front
- Toe kick attached

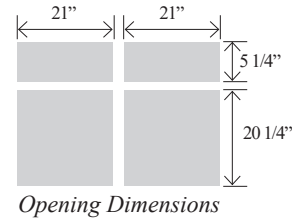
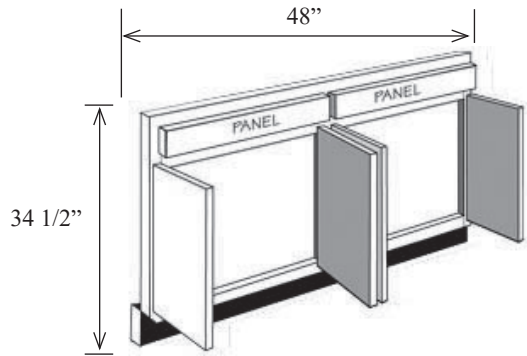
Item No.	Width	Height	Doors	Opening W	Opening H
BSF24	24"	34 1/2"	2	21"	5 1/4" / 20 1/4"
BSF24L	24"	34 1/2"	1	21"	5 1/4" / 20 1/4"
BSF24R	24"	34 1/2"	1	21"	5 1/4" / 20 1/4"



- Two false drawer fronts
- Toe kick attached

Item No.	Width	Height	Doors	Opening W	Opening H	CenterStile W
BSF27	27"	34 1/2"	2	10 1/2"	5 1/4" / 20 1/4"	3"
BSF30	30"	34 1/2"	2	12"	5 1/4" / 20 1/4"	3"
BSF33	33"	34 1/2"	2	13 1/2"	5 1/4" / 20 1/4"	3"
BSF36	36"	34 1/2"	2	15"	5 1/4" / 20 1/4"	3"
BSF39	39"	34 1/2"	2	16 1/2"	5 1/4" / 20 1/4"	3"
BSF42	42"	34 1/2"	2	18"	5 1/4" / 20 1/4"	3"





- Two false drawer fronts
- Toe kick attached
- Center divider

Item No.	Width	Height	Doors	Opening W	Opening H	Center Stile W
BSF48-4	48"	34 1/2"	4	21"	5 1/4" / 20 1/4"	3"
BSF48-2	48"	34 1/2"	2	21"	5 1/4" / 20 1/4"	3"

CABINET PRICES					
Item No.	Level 1	Level 2	Level 3	Level 4	Level 5
BSF24	610	636	662	784	1022
BSF24L	581	599	631	746	858
BSF24R	581	599	631	746	858
BSF27	599	619	650	767	879
BSF30	637	662	699	820	944
BSF33	668	693	731	861	987
BSF36	712	737	775	914	1052
BSF39	744	768	811	955	1095
BSF42	755	787	831	974	1116
BSF48-2	862	893	943	1116	1268
BSF48-4	905	937	989	1172	1331

PRICE VARIABLES

Cabinet

All Wood Box No Change
 Full Overlay No Change
 Same Species Interior Add 30%
 Finished Side Base Cabinet \$128

Wood

Maple Wood No Change
 Oak Wood No Change
 Cherry Wood +12%

Finish

Stain No Change
 Stain with Glaze Add 15%
 Paint Add 10%
 Paint with Glaze Add 20%
 Paint with Rubbed Edges Add 20%
 Unfinished -15%

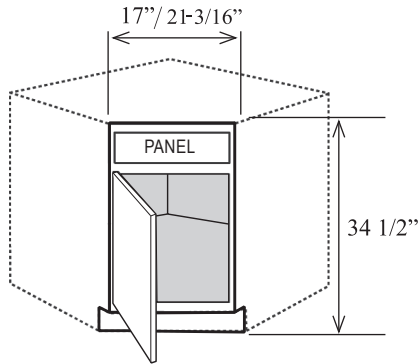
Doors

Glass Prep/ Same Species Interior Add 35%
 Glass Prep Mullion \$164 per door
 Arch Door \$26 per door
 Cathedral Door \$26 per door
 Soft Close Door \$20 per door

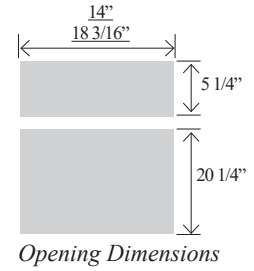
Corner Sink Fronts

112

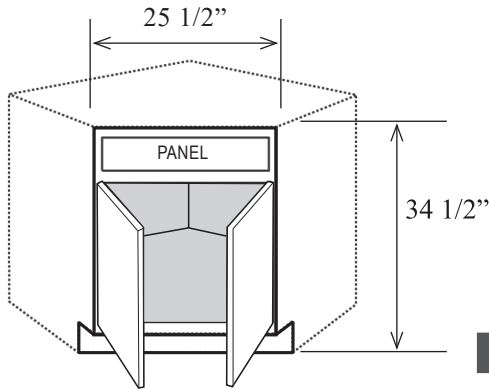
Corner Sink Fronts



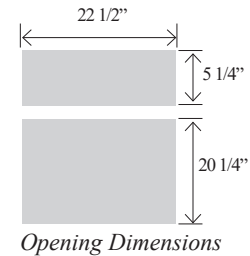
- Specify hinge left or hinge right
- Can be modified in height only



Item No.	Width	Height	Depth	Doors	Opening W	Opening H
BCSF36L	18 1/2"	34 1/2"	36"	1	14"	5 1/4" / 20 1/4"
BCSF39L	22 11/16"	34 1/2"	39"	1	18 3/16"	5 1/4" / 20 1/4"
BCSF36R	18 1/2"	34 1/2"	36"	1	14"	5 1/4" / 20 1/4"
BCSF39R	22 11/16"	34 1/2"	39"	1	18 3/16"	5 1/4" / 20 1/4"



- Can be modified in height only



Item No.	Width	Height	Depth	Doors	Opening W	Opening H
BCSF42	26 5/8"	34 1/2"	42"	2	22 1/8"	5 1/4" / 20 1/4"

CABINET PRICES					
Item No.	Level 1	Level 2	Level 3	Level 4	Level 5
BCSF36L	550	568	599	706	807
BCSF36R	550	568	599	706	807
BCSF39L	593	612	644	760	872
BCSF39R	593	612	644	760	872
BCSF42	631	655	693	813	936

PRICE VARIABLES

Cabinet

All Wood Box	No Change
Full Overlay	No Change
Same Species Interior	Add 30%
Finished Side Base Cabinet	\$128
Add Pull Out Tray	\$192

Wood

Maple Wood	No Change
Oak Wood	No Change
Cherry Wood	+12%

Finish

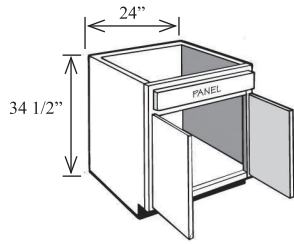
Stain	No Change
Stain with Glaze	Add 15%
Paint	Add 10%
Paint with Glaze	Add 20%
Paint with Rubbed Edges	Add 20%
Unfinished	-15%

Doors

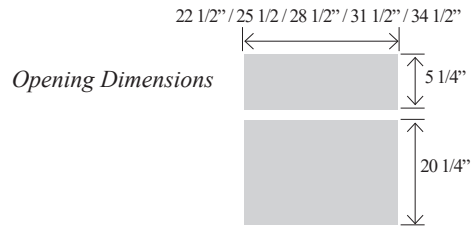
Glass Prep/ Same Species Interior	Add 35%
Glass Prep Mullion	\$164 per door
Arch Door	\$26 per door
Cathedral Door	\$26 per door
Soft Close Door	\$20 per door



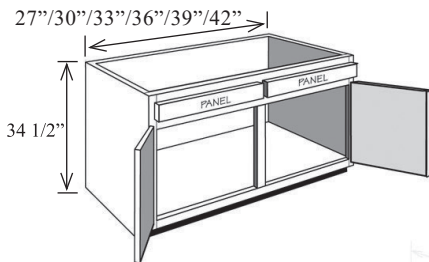
Sink & Range Base Cabinets



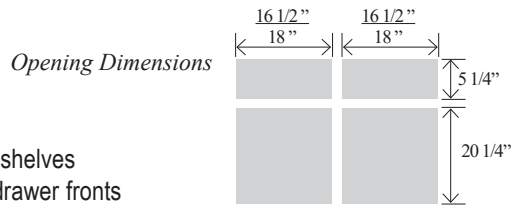
- No interior shelves
- One false drawer front



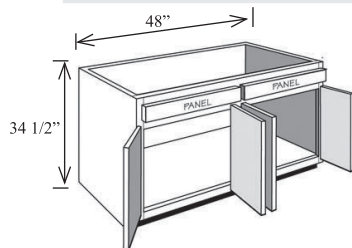
Item No.	Width	Height	Depth	Doors	Opening W	Opening H	Sink Top W	Sink Top D
BSB24	24"	34 1/2"	24"	2	21"	5 1/4" / 20 1/4"	22 1/2"	22 1/2"
BSB24L	24"	34 1/2"	24"	1	21"	5 1/4" / 20 1/4"	22 1/2"	22 1/2"
BSB24R	24"	34 1/2"	24"	1	21"	5 1/4" / 20 1/4"	22 1/2"	22 1/2"



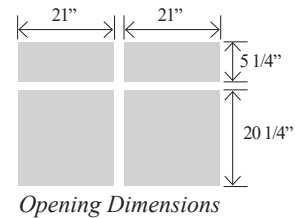
- No interior shelves
- Two false drawer fronts



Item No.	Width	Height	Depth	Doors	Opening W	Opening H	Center Stile	Sink Top W	Sink Top D
BSB27	27"	34 1/2"	24"	2	10 1/2"	5 1/4" / 20 1/4"	3"	25 1/2"	22 1/2"
BSB30	30"	34 1/2"	24"	2	12"	5 1/4" / 20 1/4"	3"	28 1/2"	22 1/2"
BSB33	33"	34 1/2"	24"	2	13 1/2"	5 1/4" / 20 1/4"	3"	31 1/2"	22 1/2"
BSB36	36"	34 1/2"	24"	2	15"	5 1/4" / 20 1/4"	3"	34 1/2"	22 1/2"
BSB39	39"	34 1/2"	24"	2	16 1/2"	5 1/4" / 20 1/4"	3"	37 1/2"	22 1/2"
BSB42	42"	34 1/2"	24"	2	18"	5 1/4" / 20 1/4"	3"	40 1/2"	22 1/2"



- No interior shelves
- Two false drawer fronts
- Center divider



Item No.	Width	Height	Depth	Doors	Opening W	Opening H	Center Stile	Sink Top W	Sink Top D
BSB48-4	48"	34 1/2"	24"	4	21"	5 1/4" / 20 1/4"	3"	46 1/2"	22 1/2"
BSB48-8	48"	34 1/2"	24"	8	21"	5 1/4" / 20 1/4"	3"	46 1/2"	22 1/2"

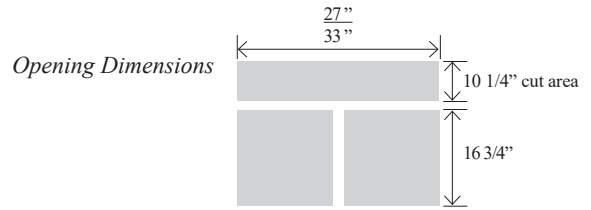
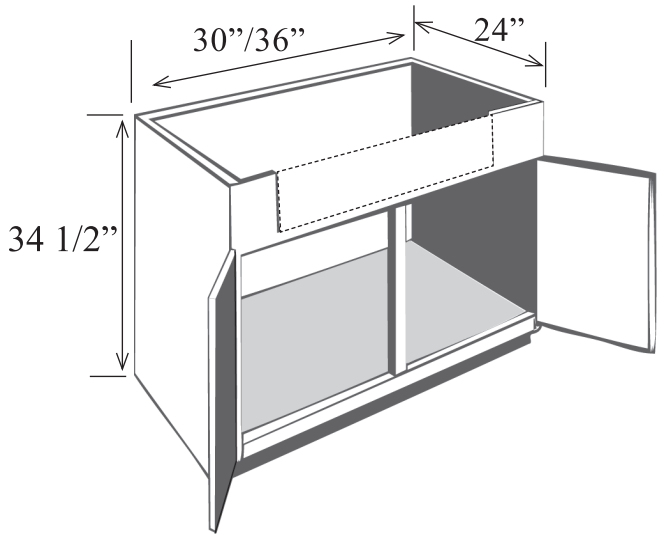
CABINET PRICES					
Item No.	Level 1	Level 2	Level 3	Level 4	Level 5
BSB24	865	899	948	1084	1210
BSB24L	824	856	903	1033	1152
BSB24R	824	856	903	1033	1152
BSB27	898	935	982	1127	1256
BSB30	961	999	1052	1204	1343
BSB33	999	1035	1088	1248	1394
BSB36	1067	1109	1167	1336	1493
BSB39	1141	1184	1246	1425	1590
BSB42	1152	1199	1263	1447	1613
BSB48-4	1294	1346	1416	1624	1810
BSB48-8	1359	1414	1486	1705	1896

See the prices and pricing variables on the opposite page.

Farm Sink Base

114

Sink Base Cabinets



- No interior shelves
- Must be cut out at time of installation

Item No.	Width	Height	Depth	Doors	Opening W	Opening H	Sink Top W	Sink Top D	Center Stile
BFSB30	30"	34 1/2"	24"	2	27"	16 3/4"	28"	22"	3"
BFSB36	36"	34 1/2"	24"	2	33"	16 3/4"	34"	22"	3"

CABINET PRICES					
Item No.	Level 1	Level 2	Level 3	Level 4	Level 5
BSD42	1743	1815	1906	2088	2232
BSD45	1805	1877	1973	2160	2309
BSD48-2	1911	1988	2088	2290	2448
BSD48-4	1956	2088	2192	2402	2570
BFSB30	936	975	1028	1124	1200
BFSB36	1037	1076	1133	1239	1325

PRICE VARIABLES

Cabinet

- All Wood Box No Change
- Full Overlay No Change
- Same Species Interior Add 30%
- Finished Side Base Cabinet \$128
- Add Pull Out Tray \$192

Wood

- Maple Wood No Change
- Oak Wood No Change
- Cherry Wood +12%

Finish

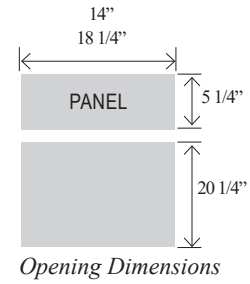
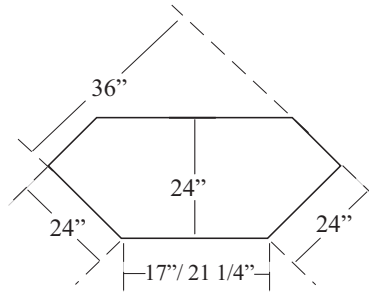
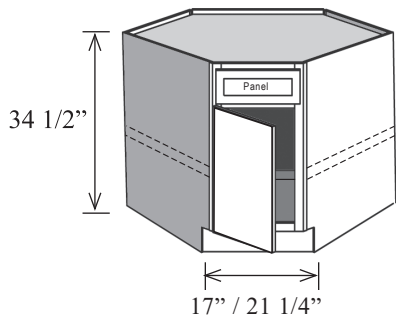
- Stain No Change
- Stain with Glaze Add 15%
- Paint Add 10%
- Paint with Glaze Add 20%
- Paint with Rubbed Edges Add 20%
- Unfinished -15%

Doors

- Glass Prep/ Same Species Interior Add 35%
- Glass Prep Mullion \$164 per door
- Arch Door \$26 per door
- Cathedral Door \$26 per door
- Soft Close Door \$20 per door

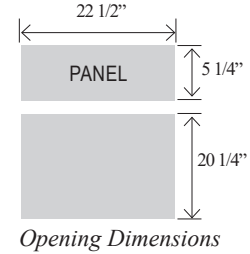
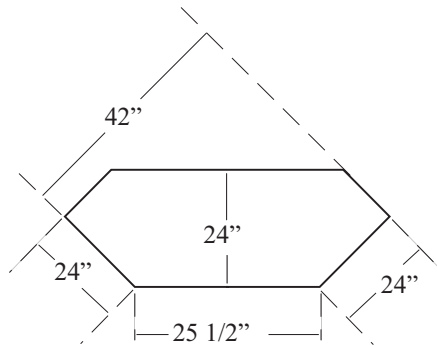
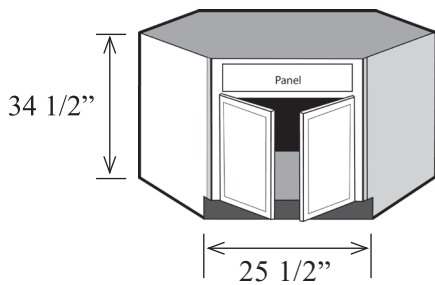


Corner Sink Cabinets



- Depth is the measurement along the wall
- Specify hinge left or hinge right
- Can be modified in height only

Item No.	Width	Height	Depth	Doors	Opening W	Opening H
BCSB36L	17"	34 1/2"	36" along the wall	1	14"	5 1/4" / 20 1/4"
BCSB39L	21 1/4"	34 1/2"	39" along the wall	1	18 1/4"	5 1/4" / 20 1/4"
BCSB36R	17"	34 1/2"	36" along the wall	1	14"	5 1/4" / 20 1/4"
BCSB39R	21 1/4"	34 1/2"	39" along the wall	1	18 1/4"	5 1/4" / 20 1/4"



- Depth is the measurement along the wall
- Can be modified in height only

Item No.	Width	Height	Depth	Doors	Opening W	Opening H
BCSB42	25 1/2"	34 1/2"	42" along wall	2	22 1/2"	5 1/4" / 20 1/4"

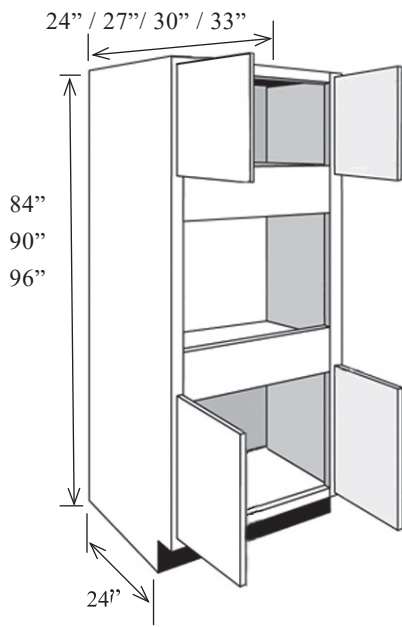
CABINET PRICES					
Item No.	Level 1	Level 2	Level 3	Level 4	Level 5
BCSB36L	1141	1184	1246	1425	1590
BCSB36R	1141	1184	1246	1425	1590
BCSB39L	1225	1273	1342	1535	1711
BCSB39R	1225	1273	1342	1535	1711
BCSB42	1316	1368	1437	1646	1838

See the prices and pricing variables on the opposite page.

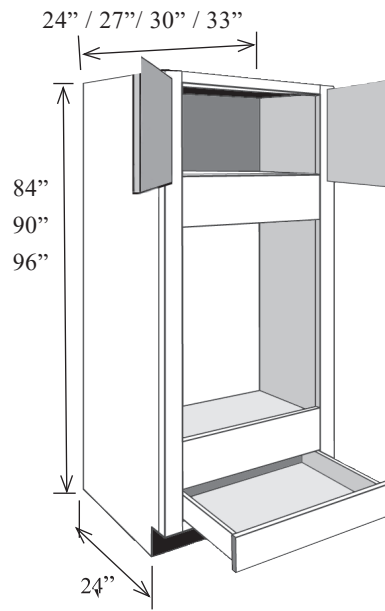
Oven Cabinets

116

Oven Cabinets



Max Opening
Widths:
24W = 22 1/2"
27W = 25 1/2"
30W = 28 1/2"
33W = 31 1/2"



- Must specify oven opening size
- 96" H have a removable toekick base

- Must specify oven opening size
- One 8"H drawer
- 96" H have a removable toekick base

Item No.	Width	Height	Depth	Doors	Bottom Opening H
OC2484	24"	84"	24"	4	25 1/2"
OC2784	27"	84"	24"	4	25 1/2"
OC3084	30"	84"	24"	4	25 1/2"
OC3384	33"	84"	24"	4	25 1/2"
OC2490	24"	90"	24"	4	25 1/2"
OC2790	27"	90"	24"	4	25 1/2"
OC3090	30"	90"	24"	4	25 1/2"
OC3390	33"	90"	24"	4	25 1/2"
OC2496	24"	96"	24"	4	25 1/2"
OC2796	27"	96"	24"	4	25 1/2"
OC3096	30"	96"	24"	4	25 1/2"
OC3396	33"	96"	24"	4	25 1/2"

Item No.	Width	Height	Depth	Doors	Drawers	Drawer Opening H
OCD2484	24"	84"	24"	2	1	9 3/4"
OCD2784	27"	84"	24"	2	1	9 3/4"
OCD3084	30"	84"	24"	2	1	9 3/4"
OCD3384	33"	84"	24"	2	1	9 3/4"
OCD2490	24"	90"	24"	2	1	9 3/4"
OCD2790	27"	90"	24"	2	1	9 3/4"
OCD3090	30"	90"	24"	2	1	9 3/4"
OCD3390	33"	90"	24"	2	1	9 3/4"
OCD2496	24"	96"	24"	2	1	9 3/4"
OCD2796	27"	96"	24"	2	1	9 3/4"
OCD3096	30"	96"	24"	2	1	9 3/4"
OCD3396	33"	96"	24"	2	1	9 3/4"





CABINET PRICES					
Item No.	Level 1	Level 2	Level 3	Level 4	Level 5
OC2484	1629	1694	1780	2057	2319
OC2490	1763	1832	1927	2226	2506
OC2496	1876	1953	2052	2371	2669
OC2784	1698	1768	1858	2148	2420
OC2790	1836	1910	2009	2322	2612
OC2796	1958	2035	2138	2472	2784
OC3084	1780	1854	1949	2253	2535
OC3090	1927	2005	2109	2436	2741
OC3096	2048	2130	2238	2586	2914
OC3384	1962	2039	2143	2477	2801
OC3390	2117	2203	2316	2677	3015
OC3396	2251	2342	2462	2846	3202
OCD2484	1742	1802	1884	2157	2415
OCD2490	1867	1936	2027	2322	2597
OCD2496	1975	2048	2143	2459	2751
OCD2784	1806	1871	1958	2244	2511
OCD2790	1940	2009	2100	2408	2698
OCD2796	2057	2130	2229	2558	2866
OCD3084	1884	1953	1504	2346	2621
OCD3090	2022	2095	2249	2513	2818
OCD3096	2089	2221	2325	2668	2986
OCD3384	2057	2130	2229	2558	2866
OCD3390	2203	2286	2394	2746	3077
OCD3396	2333	2419	2532	2910	3260

PRICE VARIABLES

Cabinet

All Wood Box No Change
 Full Overlay No Change
 Same Species Interior..... Add 30%
 Finished Side Tall Cabinet..... \$360
 Add Pull Out Tray \$192

Wood

Maple Wood No Change
 Oak Wood No Change
 Cherry Wood +12%

Finish

Stain..... No Change
 Stain with Glaze Add 15%
 Paint..... Add 10%
 Paint with Glaze Add 20%
 Paint with Rubbed Edges Add 20%
 Unfinished -15%

Doors

Glass Prep/ Same Species Interior Add 35%
 Glass Prep Mullion \$164 per door
 Arch Door..... \$26 per door
 Cathedral Door..... \$26 per door
 Soft Close Door \$20 per door

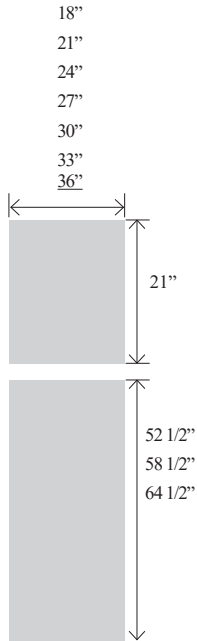
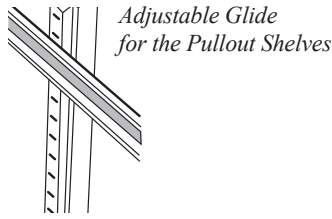
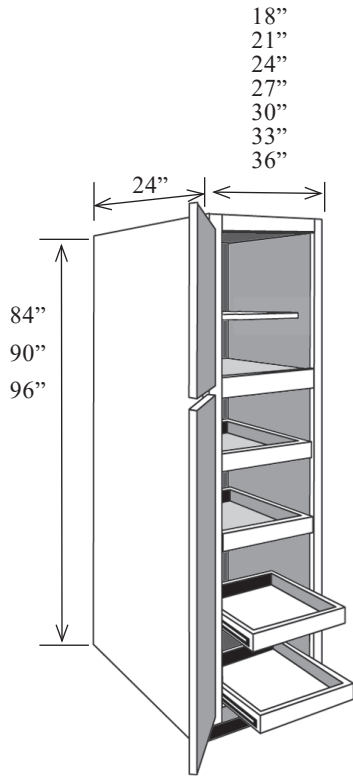
Drawer

Poplar Drawer Box-\$20 per drawer
 Maple drawer box No Change

Glides

Full Ext. Ball Bearing Glide (F)-\$40 per drawer
 Soft Close Undermount Glide (S) No Change

Pantries with Pullouts



Opening Dimensions:
top and bottom openings

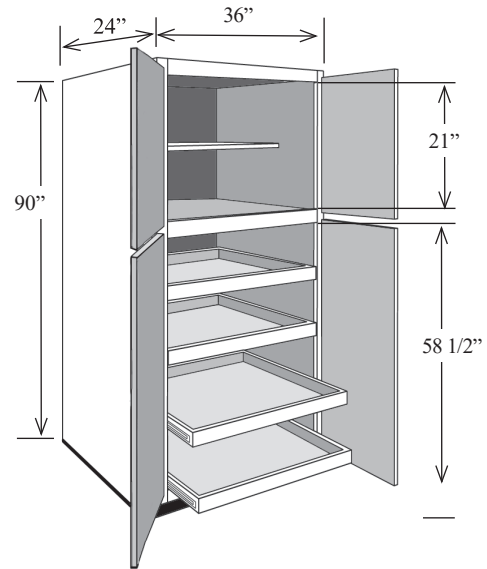
Item No.	Width	Height	Depth	Shelves	Doors	Pullouts	Opening W	Opening H
BBCP1884L	18"	84"	24"	2	2	4	15"	21" / 52 1/2"
BBCP2184L	21"	84"	24"	2	2	4	18"	21" / 52 1/2"
BBCP2484L	24"	84"	24"	2	2	4	21"	21" / 52 1/2"
BBCP1884R	18"	84"	24"	2	2	4	15"	21" / 52 1/2"
BBCP2184R	21"	84"	24"	2	2	4	18"	21" / 52 1/2"
BBCP2484R	24"	84"	24"	2	2	4	21"	21" / 52 1/2"
BBCP2784	27"	84"	24"	2	4	4	24"	21" / 52 1/2"
BBCP3084	30"	84"	24"	2	4	4	27"	21" / 52 1/2"
BBCP3084	33"	84"	24"	2	4	4	30"	21" / 52 1/2"
BBCP3684	36"	84"	24"	2	4	4	33"	21" / 52 1/2"
BBCP1890L	18"	90"	24"	2	2	4	15"	21" / 58 1/2"
BBCP2190L	21"	90"	24"	2	2	4	18"	21" / 58 1/2"
BBCP2490L	24"	90"	24"	2	2	4	21"	21" / 58 1/2"
BBCP1890R	18"	90"	24"	2	2	4	15"	21" / 58 1/2"
BBCP2190R	21"	90"	24"	2	2	4	18"	21" / 58 1/2"
BBCP2490R	24"	90"	24"	2	2	4	21"	21" / 58 1/2"
BBCP2790	27"	90"	24"	2	4	4	24"	21" / 58 1/2"
BBCP3090	30"	90"	24"	2	4	4	27"	21" / 58 1/2"
BBCP3390	33"	90"	24"	2	4	4	30"	21" / 58 1/2"
BBCP3690	36"	90"	24"	2	4	4	33"	21" / 58 1/2"
BBCP1896L	18"	96"	24"	2	2	4	15"	21" / 64 1/2"
BBCP2196L	21"	96"	24"	2	2	4	18"	21" / 64 1/2"
BBCP2496L	24"	96"	24"	2	2	4	21"	21" / 64 1/2"
BBCP1896R	18"	96"	24"	2	2	4	15"	21" / 64 1/2"
BBCP2196R	21"	96"	24"	2	2	4	18"	21" / 64 1/2"
BBCP2496R	24"	96"	24"	2	2	4	21"	21" / 64 1/2"
BBCP2796	27"	96"	24"	2	4	4	24"	21" / 64 1/2"
BBCP3096	30"	96"	24"	2	4	4	27"	21" / 64 1/2"
BBCP3396	33"	96"	24"	2	4	4	30"	21" / 64 1/2"
BBCP3696	36"	96"	24"	2	4	4	33"	21" / 64 1/2"



CABINET PRICES

Item No.	Level 1	Level 2	Level 3	Level 4	Level 5
BBCP1884L	1720	1790	1879	2176	2450
BBCP1884R	1720	1790	1879	2176	2450
BBCP1890L	1859	1933	2032	2348	2645
BBCP1890R	1859	1933	2032	2348	2645
BBCP1896L	1975	2057	2164	2500	2813
BBCP1896R	1975	2057	2164	2500	2813
BBCP2184L	1872	1949	2048	2370	2668
BBCP2184R	1872	1949	2048	2370	2668
BBCP2190L	2012	2093	2201	2544	2864
BBCP2190R	2012	2093	2201	2544	2864
BBCP2196L	2135	2221	2336	2699	3038
BBCP2196R	2131	2221	2336	2699	3038
BBCP2484	2048	2130	2237	2587	2914
BBCP2484L	2048	2130	2237	2587	2914
BBCP2484R	2048	2130	2237	2587	2914
BBCP2490	2217	2308	2426	2803	3156
BBCP2490L	2217	2308	2426	2803	3156
BBCP2490R	2217	2308	2426	2803	3156
BBCP2496	2360	2454	2578	2980	3357
BBCP2496L	2360	2454	2578	2980	3357
BBCP2496R	2360	2454	2578	2980	3357
BBCP2784	2203	2294	2410	2785	3137
BBCP2790	2372	2471	2597	3002	3380
BBCP2796	2520	2623	2754	3184	3585
BBCP3084	2462	2561	2693	3110	3502
BBCP3090	2660	2770	2910	3367	3790
BBCP3096	2837	2951	3099	3583	4036
BBCP3384	2898	3211	3169	3665	4121
BBCP3390	3094	3222	3386	3912	4406
BBCP3396	3267	2322	3575	4133	4652
BBCP3684	2956	3078	3234	3738	4209
BBCP3690	3190	3320	3478	4033	4541
BBCP3696	3398	3539	3719	4328	4839

Pantries with Pullouts Prices



- One fixed shelf
- One adjustable half-shelf
- Four adjustable pullout shelves
- Ball-bearing full extension glides
- 96"H has a removable toekick base
- Specify hinge left or hinge right for one door cabinet

PRICE VARIABLES

Cabinet

All Wood Box No Change
 Full Overlay No Change
 Same Species Interior..... Add 30%
 Finished Side Tall Cabinet..... \$360
 Add Pull Out Tray \$192

Wood

Maple Wood No Change
 Oak Wood No Change
 Cherry Wood +12%

Finish

Stain..... No Change
 Stain with Glaze Add 15%
 Paint..... Add 10%
 Paint with Glaze Add 20%
 Paint with Rubbed Edges Add 20%
 Unfinished -15%

Doors

Glass Prep/ Same Species Interior Add 35%
 Glass Prep Mullion \$164 per door
 Arch Door..... \$26 per door
 Cathedral Door..... \$26 per door
 Soft Close Door \$20 per door

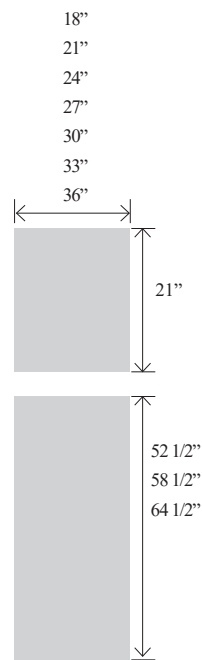
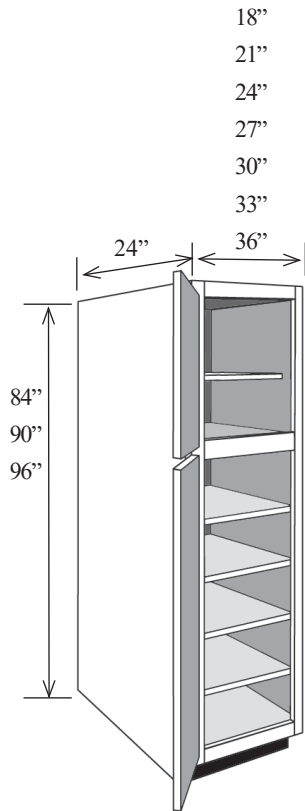
Drawer

Poplar Drawer Box-\$20 per drawer
 Maple drawer box No Change

Glides

Full Ext. Ball Bearing Glide (F)-\$40 per drawer
 Soft Close Undermount Glide (S) No Change

Utility Cabinets with Shelves



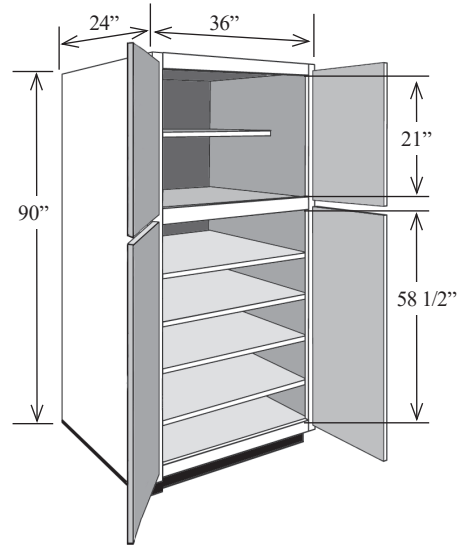
Opening Dimensions: top and bottom openings

Item No.	Width	Height	Depth	Shelves	Doors	Opening W	Opening H
BBCA1884L	18"	84"	24"	5	2	15"	21" / 52 1/2"
BBCA2184L	21"	84"	24"	5	2	18"	21" / 52 1/2"
BBCA2484L	24"	84"	24"	5	2	21"	21" / 52 1/2"
BBCA1884R	18"	84"	24"	5	2	15"	21" / 52 1/2"
BBCA2184R	21"	84"	24"	5	2	18"	21" / 52 1/2"
BBCA2484R	24"	84"	24"	5	2	21"	21" / 52 1/2"
BBCA2784	27"	84"	24"	5	4	24"	21" / 52 1/2"
BBCA3084	30"	84"	24"	5	4	27"	21" / 52 1/2"
BBCA3084	33"	84"	24"	5	4	30"	21" / 52 1/2"
BBCA3684	36"	84"	24"	5	4	33"	21" / 52 1/2"
BBCA1890L	18"	90"	24"	5	2	15"	21" / 58 1/2"
BBCA2190L	21"	90"	24"	5	2	18"	21" / 58 1/2"
BBCA2490L	24"	90"	24"	5	2	21"	21" / 58 1/2"
BBCA1890R	18"	90"	24"	5	2	15"	21" / 58 1/2"
BBCA2190R	21"	90"	24"	5	2	18"	21" / 58 1/2"
BBCA2490R	24"	90"	24"	5	2	21"	21" / 58 1/2"
BBCA2790	27"	90"	24"	5	4	24"	21" / 58 1/2"
BBCA3090	30"	90"	24"	5	4	27"	21" / 58 1/2"
BBCA3390	33"	90"	24"	5	4	30"	21" / 58 1/2"
BBCA3690	36"	90"	24"	5	4	33"	21" / 58 1/2"
BBCA1896L	18"	96"	24"	5	2	15"	21" / 64 1/2"
BBCA2196L	21"	96"	24"	5	2	18"	21" / 64 1/2"
BBCA2496L	24"	96"	24"	5	2	21"	21" / 64 1/2"
BBCA1896R	18"	96"	24"	5	2	15"	21" / 64 1/2"
BBCA2196R	21"	96"	24"	5	2	18"	21" / 64 1/2"
BBCA2496R	24"	96"	24"	5	2	21"	21" / 64 1/2"
BBCA2796	27"	96"	24"	5	4	24"	21" / 64 1/2"
BBCA3096	30"	96"	24"	5	4	27"	21" / 64 1/2"
BBCA3396	33"	96"	24"	5	4	30"	21" / 64 1/2"
BBCA3696	36"	96"	24"	5	4	33"	21" / 64 1/2"



CABINET PRICES					
Item No.	Level 1	Level 2	Level 3	Level 4	Level 5
BBCA1884L	1252	1304	1370	1587	1784
BBCA1884R	1252	1304	1370	1587	1784
BBCA1890L	1355	1411	1484	1714	1930
BBCA1890R	1355	1411	1484	1714	1930
BBCA1896L	1440	1499	1576	1822	2049
BBCA1896R	1440	1499	1576	1822	2049
BBCA2184L	1370	1425	1499	1733	1950
BBCA2184R	1370	1425	1499	1733	1950
BBCA2190L	1472	1532	1608	1861	2093
BBCA2190R	1472	1532	1608	1861	2093
BBCA2196L	1561	1624	1708	1974	2220
BBCA2196R	1561	1624	1708	1974	2220
BBCA2484	1480	1539	1616	1869	2105
BBCA2484L	1480	1539	1616	1869	2105
BBCA2484R	1480	1539	1616	1869	2105
BBCA2490	1598	1663	1748	2020	2277
BBCA2490L	1598	1663	1748	2020	2277
BBCA2490R	1598	1663	1748	2020	2277
BBCA2496	1700	1770	1862	2152	2420
BBCA2496L	1700	1770	1862	2152	2420
BBCA2496R	1700	1770	1862	2152	2420
BBCA2784	1598	1663	1748	2020	2277
BBCA2790	1719	1789	1881	2175	2448
BBCA2796	1825	1899	1994	2307	2595
BBCA3084	1774	1847	1943	2245	2526
BBCA3090	1925	2002	2104	2431	2738
BBCA3096	2046	2130	2237	2586	2914
BBCA3384	2067	2152	2262	2613	2942
BBCA3390	2240	2332	2450	2833	3191
BBCA3396	2380	2476	2600	3008	3387
BBCA3684	2133	2222	2336	2698	3040
BBCA3690	2306	2402	2524	2918	3285
BBCA3696	2461	2560	2688	2995	3501

Utility Cabinets with Shelves Prices



- One fixed shelf
- One adjustable half-shelf
- Four adjustable shelves
- Removable toe kick base on 96"
- Specify hinge left or hinge right for one door cabinet

PRICE VARIABLES

Cabinet

All Wood Box No Change
 Full Overlay No Change
 Same Species Interior..... Add 30%
 Finished Side Tall Cabinet..... \$360
 Add Pull Out Tray \$192

Wood

Maple Wood No Change
 Oak Wood No Change
 Cherry Wood +12%

Finish

Stain..... No Change
 Stain with Glaze Add 15%
 Paint..... Add 10%
 Paint with Glaze Add 20%
 Paint with Rubbed Edges Add 20%
 Unfinished -15%

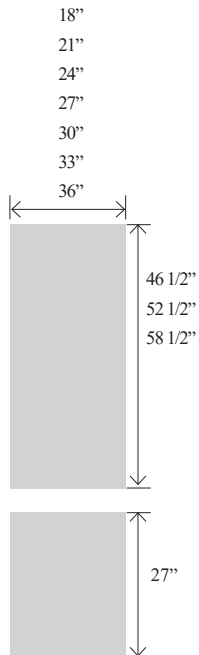
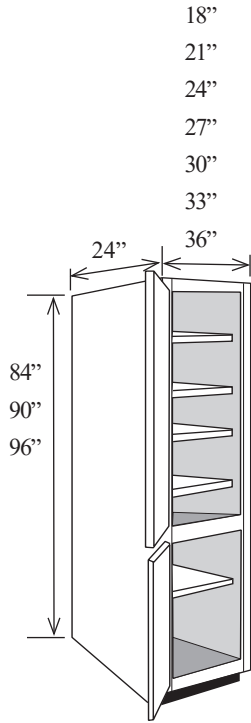
Doors

Glass Prep/ Same Species Interior Add 35%
 Glass Prep Mullion \$164 per door
 Arch Door..... \$26 per door
 Cathedral Door..... \$26 per door
 Soft Close Door \$20 per door

Glides

Full Ext. Ball Bearing Glide (F)-\$40 per drawer
 Soft Close Undermount Glide (S) No Change

Utility Cabinets with Shelves



Opening Dimensions:
top and bottom openings

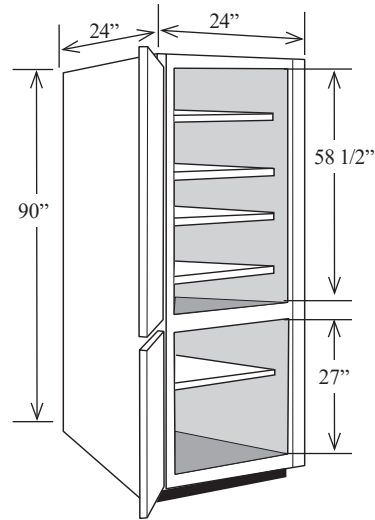
Item No.	Width	Height	Depth	Shelves	Doors	Opening W	Opening H
BBCAR1884L	18"	84"	24"	5	2	15"	27" / 46 1/2"
BBCAR2184L	21"	84"	24"	5	2	18"	27" / 46 1/2"
BBCAR2484L	24"	84"	24"	5	2	21"	27" / 46 1/2"
BBCAR1884R	18"	84"	24"	5	2	15"	27" / 46 1/2"
BBCAR2184R	21"	84"	24"	5	2	18"	27" / 46 1/2"
BBCAR2484R	24"	84"	24"	5	2	21"	27" / 46 1/2"
BBCAR2784	27"	84"	24"	5	4	24"	27" / 46 1/2"
BBCAR3084	30"	84"	24"	5	4	27"	27" / 46 1/2"
BBCAR3084	33"	84"	24"	5	4	30"	27" / 46 1/2"
BBCAR3684	36"	84"	24"	5	4	33"	27" / 46 1/2"
BBCAR1890L	18"	90"	24"	5	2	15"	27" / 52 1/2"
BBCAR2190L	21"	90"	24"	5	2	18"	27" / 52 1/2"
BBCAR2490L	24"	90"	24"	5	2	21"	27" / 52 1/2"
BBCAR1890R	18"	90"	24"	5	2	15"	27" / 52 1/2"
BBCAR2190R	21"	90"	24"	5	2	18"	27" / 52 1/2"
BBCAR2490R	24"	90"	24"	5	2	21"	27" / 52 1/2"
BBCAR2790	27"	90"	24"	5	4	24"	27" / 52 1/2"
BBCAR3090	30"	90"	24"	5	4	27"	27" / 52 1/2"
BBCAR3390	33"	90"	24"	5	4	30"	27" / 52 1/2"
BBCAR3690	36"	90"	24"	5	4	33"	27" / 52 1/2"
BBCAR1896L	18"	96"	24"	5	2	15"	27" / 58 1/2"
BBCAR2196L	21"	96"	24"	5	2	18"	27" / 58 1/2"
BBCAR2496L	24"	96"	24"	5	2	21"	27" / 58 1/2"
BBCAR1896R	18"	96"	24"	5	2	15"	27" / 58 1/2"
BBCAR2196R	21"	96"	24"	5	2	18"	27" / 58 1/2"
BBCAR2496R	24"	96"	24"	5	2	21"	27" / 58 1/2"
BBCAR2796	27"	96"	24"	5	4	24"	27" / 58 1/2"
BBCAR3096	30"	96"	24"	5	4	27"	27" / 58 1/2"
BBCAR3396	33"	96"	24"	5	4	30"	27" / 58 1/2"
BBCAR3696	36"	96"	24"	5	4	33"	27" / 58 1/2"



CABINET PRICES

Item No.	Level 1	Level 2	Level 3	Level 4	Level 5
BBCAR1884L	1381	1436	1509	1744	1962
BBCAR1884R	1381	1436	1509	1744	1962
BBCAR1890L	1494	1553	1634	1889	2126
BBCAR1890R	1494	1553	1634	1889	2126
BBCAR1896L	1587	1652	1737	2008	2261
BBCAR1896R	1587	1652	1737	2008	2213
BBCAR2184L	1509	1571	1652	1911	2151
BBCAR2184R	1509	1571	1652	1911	2151
BBCAR2190L	1624	1689	1774	2051	2309
BBCAR2190R	1624	1689	1774	2051	2309
BBCAR2196L	1719	1789	1881	2175	2448
BBCAR2196R	1719	1789	1881	2175	2448
BBCAR2484	1631	1697	1785	2062	2322
BBCAR2484L	1631	1697	1785	2062	2322
BBCAR2484R	1480	1539	1616	1869	2105
BBCAR2490	1763	1833	1925	2226	2506
BBCAR2490L	1763	1833	1925	2226	2506
BBCAR2490R	1763	1833	1925	2226	2506
BBCAR2496	1877	1954	2054	2373	2697
BBCAR2496L	1877	1954	2054	2373	2697
BBCAR2496R	1877	1954	2054	2373	2697
BBCAR2784	1750	1833	1925	2226	2506
BBCAR2790	1895	1973	2072	2396	2697
BBCAR2796	2083	2167	2277	2632	2962
BBCAR3084	1958	2039	2141	2478	2787
BBCAR3090	2120	2207	2321	2683	3020
BBCAR3096	2259	2351	2468	2853	3215
BBCAR3384	2148	2237	2351	2717	3060
BBCAR3390	2380	2476	2600	3008	3387
BBCAR3396	2500	2605	2736	3163	3562
BBCAR3684	2354	2450	2574	2977	3350
BBCAR3690	2545	2648	2784	3218	3620
BBCAR3696	2710	2821	2964	3428	3856

Utility Cabinets with Shelves Prices



- One fixed shelf
- Five adjustable shelves
- Removable toe kick base on 96"
- Specify hinge left or hinge right for one door cabinet

PRICE VARIABLES

Cabinet

All Wood Box No Change
 Full Overlay No Change
 Same Species Interior..... Add 30%
 Finished Side Tall Cabinet..... \$360
 Add Pull Out Tray \$192

Wood

Maple Wood No Change
 Oak Wood No Change
 Cherry Wood +12%

Finish

Stain..... No Change
 Stain with Glaze Add 15%
 Paint..... Add 10%
 Paint with Glaze Add 20%
 Paint with Rubbed Edges Add 20%
 Unfinished -15%

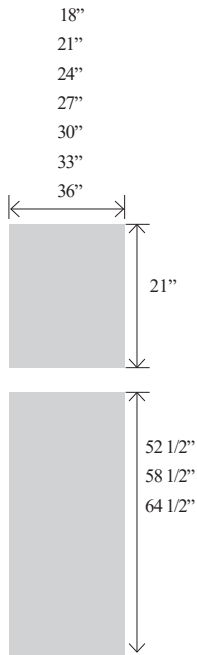
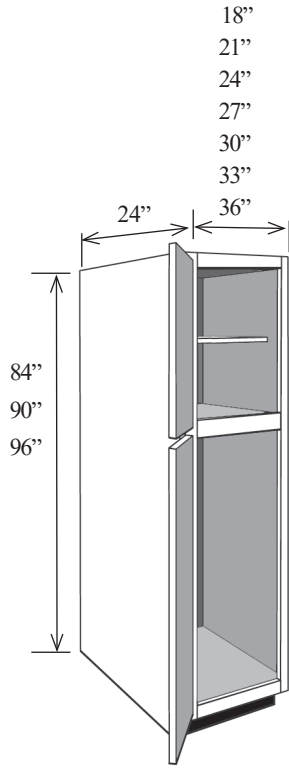
Doors

Glass Prep/ Same Species Interior Add 35%
 Glass Prep Mullion \$164 per door
 Arch Door..... \$26 per door
 Cathedral Door..... \$26 per door
 Soft Close Door \$20 per door

Glides

Full Ext. Ball Bearing Glide (F)-\$40 per drawer
 Soft Close Undermount Glide (S) No Change

Utility Cabinets

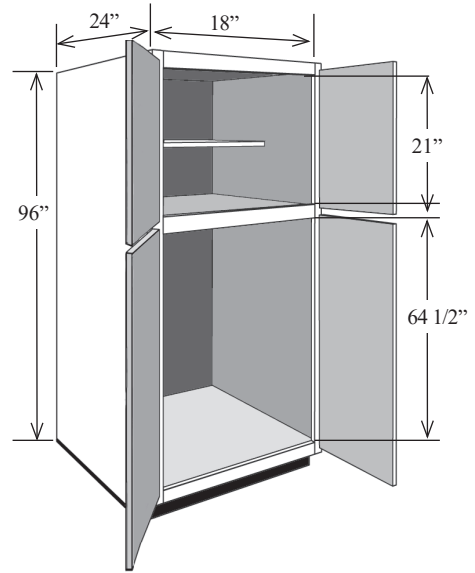


Opening Dimensions:
top and bottom openings

Item No.	Width	Height	Depth	Shelves	Doors	Opening W	Opening H
BBC1884L	18"	84"	24"	1	2	15"	21" / 52 1/2"
BBC2184L	21"	84"	24"	1	2	18"	21" / 52 1/2"
BBC2484L	24"	84"	24"	1	2	21"	21" / 52 1/2"
BBC1884R	18"	84"	24"	1	2	15"	21" / 52 1/2"
BBC2184R	21"	84"	24"	1	2	18"	21" / 52 1/2"
BBC2484R	24"	84"	24"	1	2	21"	21" / 52 1/2"
BBC2784	27"	84"	24"	1	4	24"	21" / 52 1/2"
BBC3084	30"	84"	24"	1	4	27"	21" / 52 1/2"
BBC3084	33"	84"	24"	1	4	30"	21" / 52 1/2"
BBC3684	36"	84"	24"	1	4	33"	21" / 52 1/2"
BBC1890L	18"	90"	24"	1	2	15"	21" / 58 1/2"
BBC2190L	21"	90"	24"	1	2	18"	21" / 58 1/2"
BBC2490L	24"	90"	24"	1	2	21"	21" / 58 1/2"
BBC1890R	18"	90"	24"	1	2	15"	21" / 58 1/2"
BBC2190R	21"	90"	24"	1	2	18"	21" / 58 1/2"
BBC2490R	24"	90"	24"	1	2	21"	21" / 58 1/2"
BBC2790	27"	90"	24"	1	4	24"	21" / 58 1/2"
BBC3090	30"	90"	24"	1	4	27"	21" / 58 1/2"
BBC3390	33"	90"	24"	1	4	30"	21" / 58 1/2"
BBC3690	36"	90"	24"	1	4	33"	21" / 58 1/2"
BBC1896L	18"	96"	24"	1	2	15"	21" / 64 1/2"
BBC2196L	21"	96"	24"	1	2	18"	21" / 64 1/2"
BBC2496L	24"	96"	24"	1	2	21"	21" / 64 1/2"
BBC1896R	18"	96"	24"	1	2	15"	21" / 64 1/2"
BBC2196R	21"	96"	24"	1	2	18"	21" / 64 1/2"
BBC2496R	24"	96"	24"	1	2	21"	21" / 64 1/2"
BBC2796	27"	96"	24"	1	4	24"	21" / 64 1/2"
BBC3096	30"	96"	24"	1	4	27"	21" / 64 1/2"
BBC3396	33"	96"	24"	1	4	30"	21" / 64 1/2"
BBC3696	36"	96"	24"	1	4	33"	21" / 64 1/2"



Utility Cabinets Prices



- One fixed shelf
- One adjustable half-shelf
- Removable toe kick base on 96"
- Specify hinge left or hinge right for one door cabinet

PRICE VARIABLES

Cabinet

- All Wood Box No Change
- Full Overlay No Change
- Same Species Interior. Add 30%
- Finished Side Tall Cabinet. \$360
- Add Pull Out Tray \$192

Wood

- Maple Wood No Change
- Oak Wood No Change
- Cherry Wood +12%

Finish

- Stain. No Change
- Stain with Glaze Add 15%
- Paint. Add 10%
- Paint with Glaze Add 20%
- Paint with Rubbed Edges Add 20%
- Unfinished -15%

Doors

- Glass Prep/ Same Species Interior Add 35%
- Glass Prep Mullion \$164 per door
- Arch Door. \$26 per door
- Cathedral Door. \$26 per door
- Soft Close Door \$20 per door

Drawer

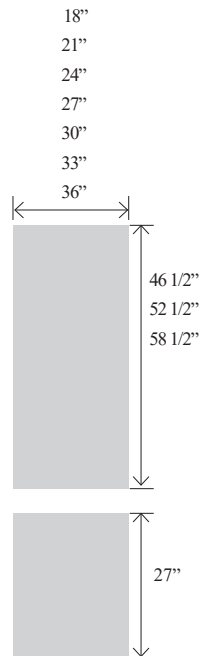
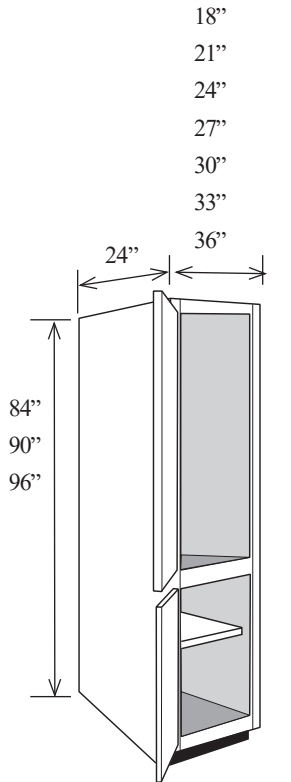
- Poplar Drawer Box -\$20 per drawer
- Maple drawer box No Change

Glides

- Full Ext. Ball Bearing Glide (F)-\$40 per drawer
- Soft Close Undermount Glide (S) No Change

CABINET PRICES					
Item No.	Level 1	Level 2	Level 3	Level 4	Level 5
BBC1884L	1166	1211	1273	1473	1655
BBC1884R	1166	1211	1273	1473	1655
BBC1890L	1264	1314	1380	1594	1797
BBC1890R	1264	1314	1380	1594	1797
BBC1896L	1346	1400	1473	1702	1916
BBC1896R	1346	1400	1473	1702	1916
BBC2184L	1284	1338	1408	1625	1829
BBC2184R	1284	1338	1408	1625	1829
BBC2190L	1380	1436	1510	1746	1966
BBC2190R	1380	1436	1510	1746	1966
BBC2196L	1465	1523	1601	1851	2085
BBC2196R	1465	1523	1601	1851	2085
BBC2484	1384	1441	1515	1750	1971
BBC2484L	1384	1441	1515	1750	1971
BBC2484R	1384	1441	1515	1750	1971
BBC2490	1490	1552	1717	1885	2121
BBC2490L	1490	1552	1717	1885	2121
BBC2490R	1490	1552	1717	1885	2121
BBC2496	1597	1662	1749	2020	2276
BBC2496L	1597	1662	1749	2020	2276
BBC2496R	1597	1662	1749	2020	2276
BBC2784	1503	1564	1646	1902	2139
BBC2790	1613	1679	1765	2041	2298
BBC2796	1720	1790	1879	2176	2450
BBC3084	1490	1552	1630	1885	2121
BBC3090	1597	1662	1749	2018	2243
BBC3096	1708	1777	1868	2157	2430
BBC3384	1642	1708	1795	2075	2336
BBC3390	1736	1806	1897	2193	2472
BBC3396	1856	1930	2028	2345	2640
BBC3684	1597	1662	1741	1951	2276
BBC3690	1708	1777	1868	2157	2430
BBC3696	1831	1904	2003	2313	2604

Utility Cabinets

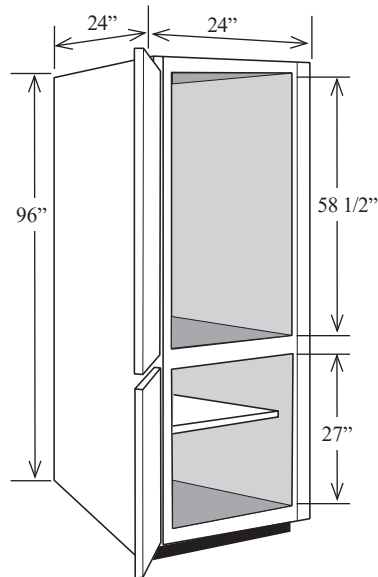


Opening Dimensions:
top and bottom openings

Item No.	Width	Height	Depth	Shelves	Doors	Opening W	Opening H
BBCR1884L	18"	84"	24"	1	2	15"	27" / 46 1/2"
BBCR2184L	21"	84"	24"	1	2	18"	27" / 46 1/2"
BBCR2484L	24"	84"	24"	1	2	21"	27" / 46 1/2"
BBCR1884R	18"	84"	24"	1	2	15"	27" / 46 1/2"
BBCR2184R	21"	84"	24"	1	2	18"	27" / 46 1/2"
BBCR2484R	24"	84"	24"	1	2	21"	27" / 46 1/2"
BBCR2784	27"	84"	24"	1	4	24"	27" / 46 1/2"
BBCR3084	30"	84"	24"	1	4	27"	27" / 46 1/2"
BBCR3084	33"	84"	24"	1	4	30"	27" / 46 1/2"
BBCR3684	36"	84"	24"	1	4	33"	27" / 46 1/2"
BBCR1890L	18"	90"	24"	1	2	15"	27" / 52 1/2"
BBCR2190L	21"	90"	24"	1	2	18"	27" / 52 1/2"
BBCR2490L	24"	90"	24"	1	2	21"	27" / 52 1/2"
BBCR1890R	18"	90"	24"	1	2	15"	27" / 52 1/2"
BBCR2190R	21"	90"	24"	1	2	18"	27" / 52 1/2"
BBCR2490R	24"	90"	24"	1	2	21"	27" / 52 1/2"
BBCR2790	27"	90"	24"	1	4	24"	27" / 52 1/2"
BBCR3090	30"	90"	24"	1	4	27"	27" / 52 1/2"
BBCR3390	33"	90"	24"	1	4	30"	27" / 52 1/2"
BBCR3690	36"	90"	24"	1	4	33"	27" / 52 1/2"
BBCR1896L	18"	96"	24"	1	2	15"	27" / 58 1/2"
BBCR2196L	21"	96"	24"	1	2	18"	27" / 58 1/2"
BBCR2496L	24"	96"	24"	1	2	21"	27" / 58 1/2"
BBCR1896R	18"	96"	24"	1	2	15"	27" / 58 1/2"
BBCR2196R	21"	96"	24"	1	2	18"	27" / 58 1/2"
BBCR2496R	24"	96"	24"	1	2	21"	27" / 58 1/2"
BBCR2796	27"	96"	24"	1	4	24"	27" / 58 1/2"
BBCR3096	30"	96"	24"	1	4	27"	27" / 58 1/2"
BBCR3396	33"	96"	24"	1	4	30"	27" / 58 1/2"
BBCR3696	36"	96"	24"	1	4	33"	27" / 58 1/2"



Utility Cabinets Prices



- One fixed shelf
- One adjustable shelf
- Removable toe kick base on 96"
- Specify hinge left or hinge right for one door cabinet

PRICE VARIABLES

Cabinet

All Wood Box No Change
 Full Overlay No Change
 Same Species Interior. Add 30%
 Finished Side Tall Cabinet. \$360
 Add Pull Out Tray \$192

Wood

Maple Wood No Change
 Oak Wood No Change
 Cherry Wood +12%

Finish

Stain. No Change
 Stain with Glaze Add 15%
 Paint. Add 10%
 Paint with Glaze Add 20%
 Paint with Rubbed Edges Add 20%
 Unfinished -15%

Doors

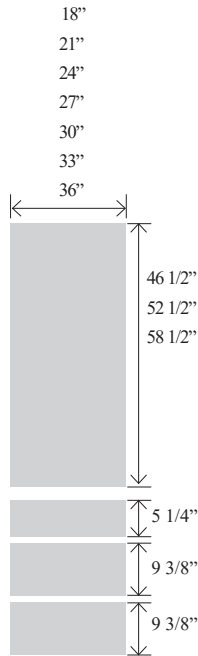
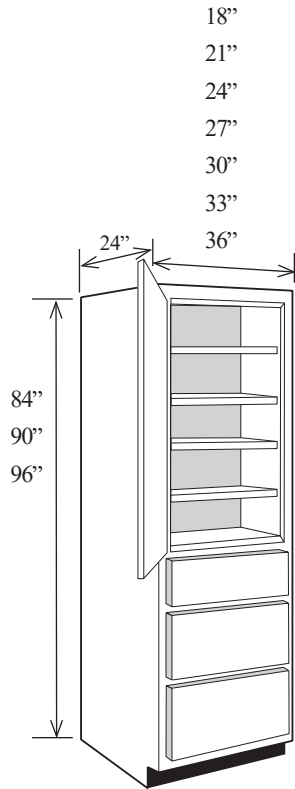
Glass Prep/ Same Species Interior Add 35%
 Glass Prep Mullion \$164 per door
 Arch Door. \$26 per door
 Cathedral Door. \$26 per door
 Soft Close Door \$20 per door

Glides

Full Ext. Ball Bearing Glide (F)-\$40 per drawer
 Soft Close Undermount Glide (S) No Change

CABINET PRICES					
Item No.	Level 1	Level 2	Level 3	Level 4	Level 5
BBCR1884L	1284	1338	1408	1625	1829
BBCR1884R	1284	1338	1408	1625	1829
BBCR1890L	1391	1449	1523	1759	1984
BBCR1890R	1391	1449	1523	1759	1984
BBCR1896L	1482	1544	1622	1875	2111
BBCR1896R	1482	1544	1622	1875	2111
BBCR2184L	1417	1473	1548	1789	2016
BBCR2184R	1417	1473	1548	1789	2016
BBCR2190L	1523	1585	1667	1924	2166
BBCR2190R	1523	1585	1667	1924	2166
BBCR2196L	1613	1679	1765	2041	2298
BBCR2196R	1613	1679	1765	2041	2298
BBCR2484	1527	1589	1671	1932	2176
BBCR2484L	1527	1589	1671	1932	2176
BBCR2484R	1527	1589	1671	1932	2176
BBCR2490	1646	1712	1797	2080	2339
BBCR2490L	1646	1712	1797	2080	2339
BBCR2490R	1646	1712	1797	2080	2339
BBCR2496	1760	1831	1925	2279	2504
BBCR2496L	1760	1831	1925	2279	2504
BBCR2496R	1760	1831	1925	2279	2504
BBCR2784	1658	1724	1811	2092	2358
BBCR2790	1777	1851	1946	2249	2531
BBCR2796	1897	1975	2077	2400	2700
BBCR3084	1724	1795	1884	2179	2513
BBCR3090	1839	1913	2012	2323	2618
BBCR3096	1966	2044	2147	2482	2795
BBCR3384	1802	1877	1970	2279	2453
BBCR3390	1912	1991	2093	2417	2723
BBCR3396	2048	2130	2237	2587	2914
BBCR3684	1876	1954	2052	2374	2673
BBCR3690	2003	2084	2192	2535	2850
BBCR3696	2135	2221	2336	2699	3038

Utility Cabinets with Drawers



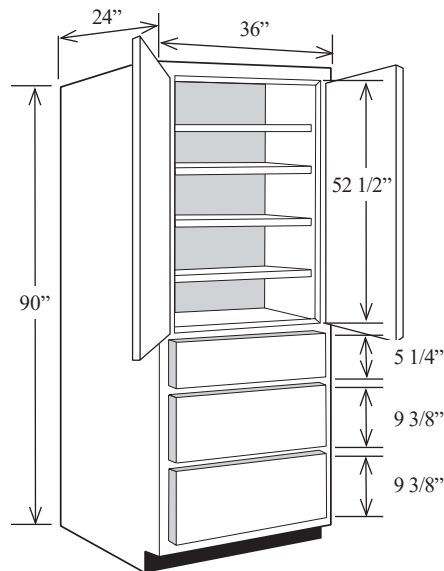
Opening Dimensions:
top and bottom openings

Item No.	Width	Height	Depth	Shelves	Doors	Opening W	Opening H
BBCD1884L	18"	84"	24"	4	1	15"	27" / 46 1/2"
BBCD2184L	21"	84"	24"	4	1	18"	27" / 46 1/2"
BBCD2484L	24"	84"	24"	4	1	21"	27" / 46 1/2"
BBCD1884R	18"	84"	24"	4	1	15"	27" / 46 1/2"
BBCD2184R	21"	84"	24"	4	1	18"	27" / 46 1/2"
BBCD2484R	24"	84"	24"	4	1	21"	27" / 46 1/2"
BBCD2784	27"	84"	24"	4	2	24"	27" / 46 1/2"
BBCD3084	30"	84"	24"	4	2	27"	27" / 46 1/2"
BBCD3084	33"	84"	24"	4	2	30"	27" / 46 1/2"
BBCD3684	36"	84"	24"	4	2	33"	27" / 46 1/2"
BBCD1890L	18"	90"	24"	4	1	15"	27" / 52 1/2"
BBCD2190L	21"	90"	24"	4	1	18"	27" / 52 1/2"
BBCD2490L	24"	90"	24"	4	1	21"	27" / 52 1/2"
BBCD1890R	18"	90"	24"	4	1	15"	27" / 52 1/2"
BBCD2190R	21"	90"	24"	4	1	18"	27" / 52 1/2"
BBCD2490R	24"	90"	24"	4	1	21"	27" / 52 1/2"
BBCD2790	27"	90"	24"	4	2	24"	27" / 52 1/2"
BBCD3090	30"	90"	24"	4	2	27"	27" / 52 1/2"
BBCD3390	33"	90"	24"	4	2	30"	27" / 52 1/2"
BBCD3690	36"	90"	24"	4	2	33"	27" / 52 1/2"
BBCD1896L	18"	96"	24"	4	1	15"	27" / 58 1/2"
BBCD2196L	21"	96"	24"	4	1	18"	27" / 58 1/2"
BBCD2496L	24"	96"	24"	4	2	21"	27" / 58 1/2"
BBCD1896R	18"	96"	24"	4	1	15"	27" / 58 1/2"
BBCD2196R	21"	96"	24"	4	1	18"	27" / 58 1/2"
BBCD2496R	24"	96"	24"	4	1	21"	27" / 58 1/2"
BBCD2796	27"	96"	24"	4	2	24"	27" / 58 1/2"
BBCD3096	30"	96"	24"	4	2	27"	27" / 58 1/2"
BBCD3396	33"	96"	24"	4	2	30"	27" / 58 1/2"
BBCD3696	36"	96"	24"	4	2	33"	27" / 58 1/2"



CABINET PRICES					
Item No.	Level 1	Level 2	Level 3	Level 4	Level 5
BBCD1884L	1996	2078	2186	2527	2842
BBCD1884R	1996	2078	2186	2527	2842
BBCD1890L	2130	2217	2329	2690	3029
BBCD1890R	2130	2217	2329	2690	3029
BBCD1896L	2243	2333	2450	2832	3192
BBCD1896R	2243	2333	2450	2832	3192
BBCD2184L	2152	2238	2351	2718	3063
BBCD2184R	2152	2238	2351	2718	3063
BBCD2190L	2282	2376	2498	2887	3250
BBCD2190R	2282	2376	2498	2887	3250
BBCD2196L	2394	2493	2618	3029	3408
BBCD2196R	2394	2493	2618	3029	3408
BBCD2484	2290	2385	2506	2896	3260
BBCD2484L	2290	2385	2506	2896	3260
BBCD2484R	2290	2385	2506	2896	3260
BBCD2490	2445	2545	2675	3092	3480
BBCD2490L	2445	2545	2675	3092	3480
BBCD2490R	2445	2545	2675	3092	3480
BBCD2496	2584	2687	2826	3265	3677
BBCD2496L	2584	2687	2826	3265	3677
BBCD2496R	2584	2687	2826	3265	3677
BBCD2784	2445	2545	2675	3092	3480
BBCD2790	2601	2709	2848	3293	3706
BBCD2796	2822	2938	3096	3566	4018
BBCD3084	2678	2786	2930	3384	3812
BBCD3090	2869	2985	3137	3625	4080
BBCD3096	3029	3154	3314	3830	4311
BBCD3384	2903	3020	3172	3667	4128
BBCD3390	3172	3301	3470	4009	4512
BBCD3396	3318	3452	3625	4191	4719
BBCD3684	3141	3271	3434	3972	4474
BBCD3690	3366	3504	3681	4255	4791
BBCD3696	3560	3707	3893	4501	5069

Utility Cabinets with Drawers Prices



- One fixed shelf
- Four adjustable shelves
- One 4" H & Two 8" H drawer boxes
- Specify hinge left or hinge right for one door cabinet

PRICE VARIABLES

Cabinet

All Wood Box No Change
 Full Overlay No Change
 Same Species Interior..... Add 30%
 Finished Side Tall Cabinet..... \$360
 Add Pull Out Tray \$192

Wood

Maple Wood No Change
 Oak Wood No Change
 Cherry Wood +12%

Finish

Stain No Change
 Stain with Glaze Add 15%
 Paint Add 10%
 Paint with Glaze Add 20%
 Paint with Rubbed Edges Add 20%
 Unfinished -15%

Doors

Glass Prep/ Same Species Interior Add 35%
 Glass Prep Mullion \$164 per door
 Arch Door \$26 per door
 Cathedral Door \$26 per door
 Soft Close Door \$20 per door

Drawer

Poplar Drawer Box -\$20 per drawer
 Maple drawer box No Change

Glides

Full Ext. Ball Bearing Glide (F) -\$40 per drawer
 Soft Close Undermount Glide (S) No Change

